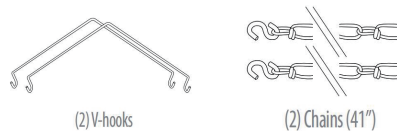




Product Features

- Housing: durable 24 gauge steel(2ft 255w/320w, 4ft 400w/500w 22 gauge Aluminium Housing),Two luminous surface.
- Finish: powder coated, post-painted white
- Driver: 120-277V,120-347V,200-480V 0-10V Dimming.
- LEDs: Long-life, high-efficacy, discrete, surface-mount LEDs
- Controls: Motion & PIR sensor optional
- Backup Emergency: Emergency Battery Option
- Mounting: Chain Mount (included). Pendant & surface mounting is available.
- Lifespan: L70 ≥ 50,000 hours
- Operating temperature: -20°C ~ 50°C (-4°F~122°F)
- Certifications: UL Listed, FCC, RoHs, DLC 5.1 Premium.
- Five-year Limited Warranty.

Hardware Included:

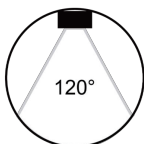


Applications

High ceiling locations in commercial, industrial, retail, or warehouse settings.

Replacement

4 Lamp T8 32W, 4 Lamp T5HO 54W, 6 Lamp T5HO 54W,
8 Lamp T5HO 54W, 10 Lamp T5HO 54W, 12 Lamp T5HO
54W



Order Information

Size	Part No.	Power	Luminous Efficacy	Luminous Flux	Input Voltage	CCT
2ft	SU-LHB2FT-255W-xxK G4	100W-170W-200W-220W-255W	160 lm/W	40800 lm	120-277V	3CCT
4ft	SU-LHB4FT-320W-xxK G4	150W-180W-220W-250W-320W	160 lm/W	51200 lm	120-277V	3CCT

"Note: 3CCT=4000K-5000K-6500K"

Sensor Options

FEATURES

- Newest design with 5 Manual Switches, easy programming.
- 12VDC Input, 0-10V Dimming, with Daylight Harvesting and Photocell Function.
- Elegant and classic round design, with rotators for easy programming.
- Rotator & Remote control.



TECHNICAL DATA

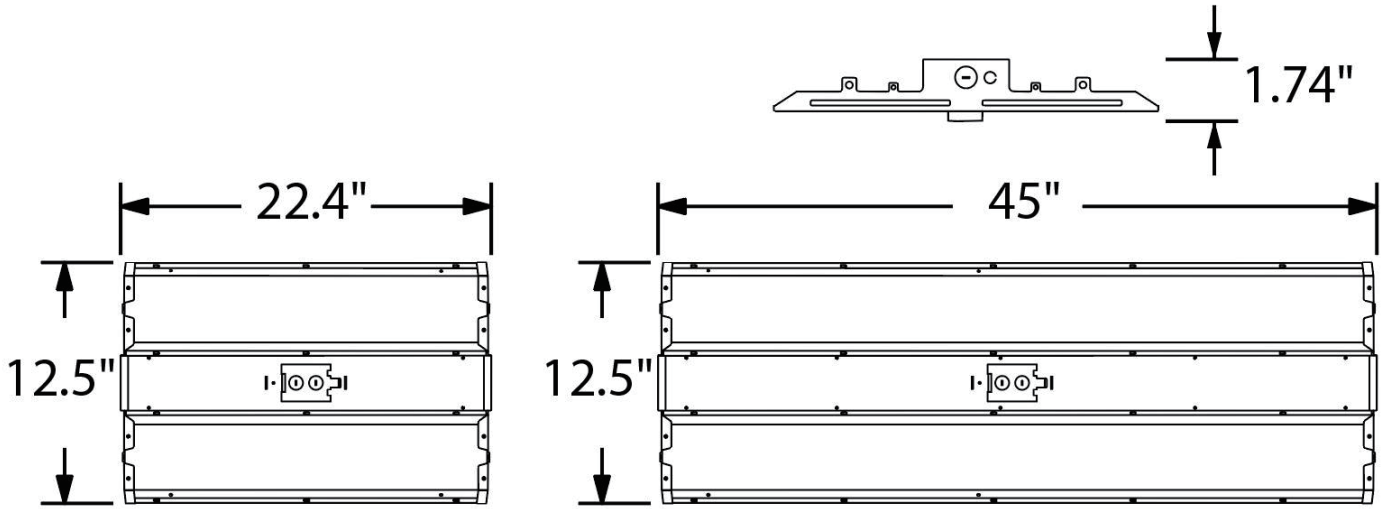
PIR Information		Sensor Parameter	
Infrared Wavelength	5-14um	Control Device	Remote Control #HD06R(purchase separately) Manual Switches
Output Signal Peak	≥3500mV	Detection Area	Remote Control: 25% / 50% / 75% / 100% Rotating switch: 25% / 50% / 75% / 100%
PIR Sensitivity	3200V/W	Hold Time	Remote Control: 5s / 30s / 1min / 3min / 5min / 10min / 20min / 30min Rotating switch: 5s/1min/ 5min/10min
Installation Height	≤12m/39.37ft	Daylight Threshold	Remote Control: 2lux / 10lux / 30lux / 50lux / 80lux / 120lux / 200Lux / 250Lux / 300lux / 350Lux / 400Lux / Disable Rotating switch: 50Lux / 200Lux / 400Lux / Disable
Detection Distance	3-7m/9.84-22.96ft	Standby Period	Remote Control: 0s / 10s / 30s / 1min / 5min / 10min / 30min / 60min / +∞ Rotating switch: 0s / 10min / 30min / +∞
Detection Angle	<120° Fersnel Lens	Standby Dimming Level	Remote Control: 10% / 20% / 30% / 50% Rotating switch: 10% / 20% / 30% / 50%
Working Temp	-20°C~+60°C	Automatically Dimming (Daylight Harvesting)	1. Stay in SENSOR MODE 2. STANDBY PERIOD as 0S 3. DAYLIGHT as any of 50Lux / 80Lux / 120Lux / 200Lux / 250Lux / 300Lux / 350Lux / 400Lux 4. Press DAYLIGHT HARVESTING button to ON
Electrical Specifications		Automatically ON/OFF (Photocell)	1. STANDBY DIM LEVEL as any of 10% 20% 30% 2. STANDBY PERIOD as infinite 3. DAYLIGHT as any of 30Lux / 50Lux / 80Lux / 120Lux / 200Lux / 250Lux / 300Lux / 350Lux / 400Lux
Input Range	12-24VDC		
Stand-by Power	<15mA		
Warm-up Period	50s		
Output control	Should be ON/OFF 0-10V DIM		
Match Emergency Drivers			
*Work compatibly with EM driver, please make sure it follows below conditions:			
1. Switching capacity <1mA			
2. LED driver' s OFF voltage at 1mA is 0.25-0.3V			
3. Single fixture connected.			

Remote control

SU-HD06R



Dimensions

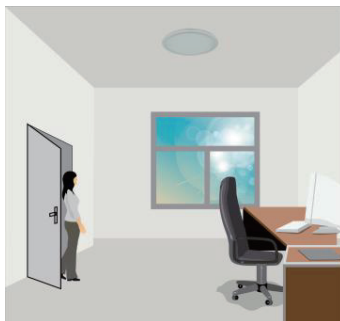


Packing / weight

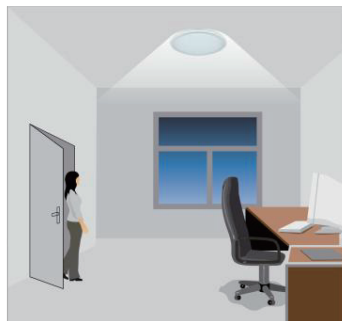
Size	Outer box (L*W*H)	Qty/Ctn (pcs)	G.W/Ctn (lbs)	Container 40HQ(68 m ²)
2ft	24.0 x 4.0 x 14.2 in 602 x 100 x 360 mm	2	7.05	6400 pcs
4ft	46 x 4.0 x 14.2 in 1172 x 100 x 360 mm	2	10.87	3200 pcs

CORRIDOR FUNCTION

This function inside the motion sensor to achieve tri-level control, for some areas which require a light change notice before switch-off. The sensor offers 3 levels of light: 100%-->dimmed light (natural light is insufficient) -->off, and 2 periods of selectable waiting time: motion hold-time and stand-by period; Selectable daylight threshold and freedom of detection area.



With sufficient natural light, the light does not switch on when presence is detected.



With insufficient natural light, the sensor switches on the light automatically when presence is detected.



After hold-time, the light dims to stand-by level if the surrounding natural light is below the daylight threshold.



Light switches off automatically after the stand-by period elapses.

Warranty

This product has a warranty of period of 5 years from the date of purchase. The warranty is invalid in the case of improper use, installation, tampering or removal of the Q.C. and/or date label, usage in improper working environment or installation not according to the current edition of the National Electric Code. Should this product fail during the warranty period it will be replaced free of charge, subject to correct installation and return of the faulty unit. Manufacturer does not accept responsibility for any installation costs associated with the replacement of this product. This warranty is in addition to the statutory rights in your country of purchase. Manufacturer reserves the right to alter specifications without prior notice.

Note

- 1.The installation and maintenance must be completed by electricians or professionals.
- 2.Please cut off the power before installation and maintenance.
- 3.The thermally insulating material is not allowed to cover the fixture.
- 4.Please keep away from the corrosive substance, and keep the fixture dry and clean.
- 5.Working temperature: -4°F~104°F, storage temperature: -22°F~140°F.