



P/N: SU-CO-300W-30/40/50K-G1

Note:

SU= Company name;

CO = Product series, LED Corn Light;

300W= Rating Power;

30/40/50K=Can be referred to selectable CCT 3000K/4000K/5000K

G1=Can be referred to LED Corn Light series

APPLICATION

- Replacement Lamps for High Bay Luminaires (Type B)

ADVANTAGE

- UL cUL DLC-V5.1(Standard) certificate.
- E39/EX39 lamp base.
- Lumileds Chip, high CRI.
- Internal driver, input voltage 120-277VAC.
- Meet 6kV surge immunity level.
- Direct replacement for Metal Halide, easy installation.
- Fits many different fixtures to replace traditional lamps.
- Two dimming options are available, via knob dimming or via dial switch dimming.
- Long lifespan and good heat dissipation ,With Sunon fan
- Direct replacement for Metal Halide, easy installation.
- Fits many different fixtures to replace traditional lamps.

SPECIFICATIONS

OPTICAL	Input Power (Tolerance : ±10%)	300W		
	Color Temperature	3000K	4000K	5000K
	Lumen (Tolerance : ±10%)-In Luminaires	36528LM	39374LM	38418LM
	Efficacy (Tolerance : ±3%)-In Luminaires	121 LM/W	135 LM/W	127LM/W
	CRI	>80		
	Color Consistency	6 Steps (or <6 SDCM)		
	Diffuser Type	Clear PC		
	Beam Angle (50%) (Tolerance : ±25%)	154 Degree		
ELECTRICAL	Input Voltage	120-277VAC 50/60Hz		
	PF	≥0.9		
	THD	≤20%		
	Flicker Percent	<5%		
	Driver Surge protection	L-N: 4kV		
	Dimmable	0-10V dimming standard (through manual knob on the lamp))		
	Sensor Type	Daylight Sensor,Occupancy Sensor, Multifunction Sensor,Integral Sensor Receptacle		
	Optional Accessory	Motion Mircowave sensor, Motion PIR sensor		
	Equivalent	700W MHL/HPS/HID		
MATERIALS	LED Brand	Lumileds		
	LED Type	SMD2835		
	LED QTY	874 pcs of 3000K +874 pcs of 5000K		
	Housing	PC + Aluminum		
	Housing Color	Any colour		
	Waterproof Rating	IP64		
OTHERS	Operating Temperature	Without Motion Sensor: -40°C TO 50°C; With Motion Sensor: -35°C TO 50°C		
	Operating Humidity	20%-70% RH		
	Storage Temperature	-40°C TO 80°C		
	Storage Humidity	10%-75% RH		
	Warranty Time	5 years		

LIGHT DISTRIBUTION TESTING PARAMETERS

Remark: The testing data comes from the product in luminaires.

Luminaire Property

Luminaire Manufacturer:
Luminaire Category:
Lamp Catalog:
Number of Lamps:
Luminous Length (mm):
Luminous Height (mm):
Current: 2.521 A
Power Factor: 0.997

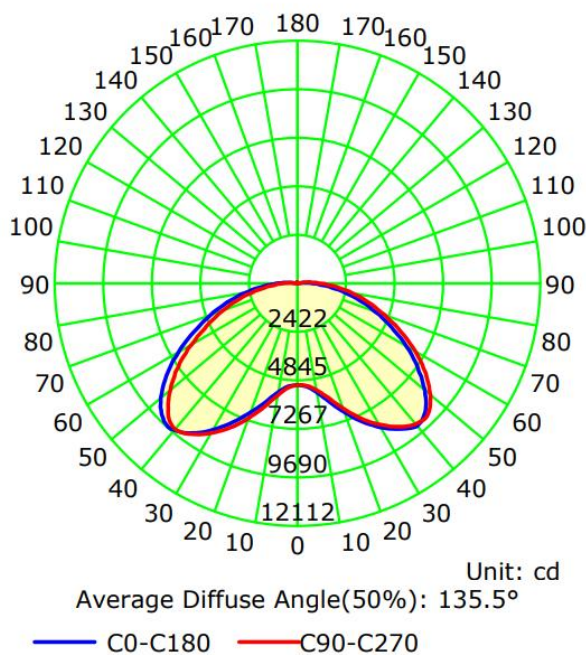
Luminaire Description:
Lamp Description:
Lumens per Lamp:
Luminous Width (mm):
Voltage: 120.0 V
Power: 301.87 W

Photometric Results

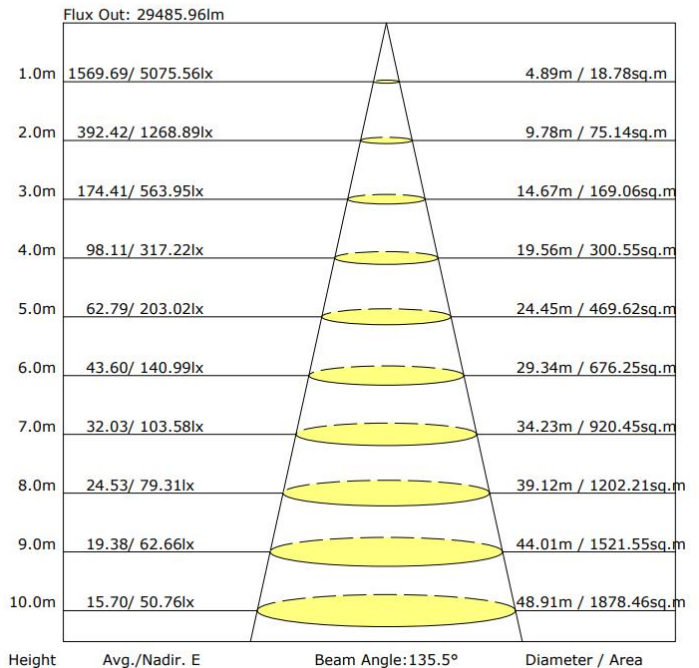
IES Classification: Type III
Total Rated Lamp Lumens: 36528.2 lm
Efficiency: 100%
Upward Ratio: 2%
C0r0 Intensity: 5075.56 cd
Pos of Max. Intensity: H202.5 V41
Beam Angle(C0/C180,C90/C270,C45/C225,C135/315): 135.5, 135.5, 135.2, 136.5

Longitudinal Classification: Very Short
Measurement Flux: 36528.2 lm
Downward Ratio: 98%
Luminaire Efficacy Rating (LER): 121.06
Max. Intensity: 9690.15 cd

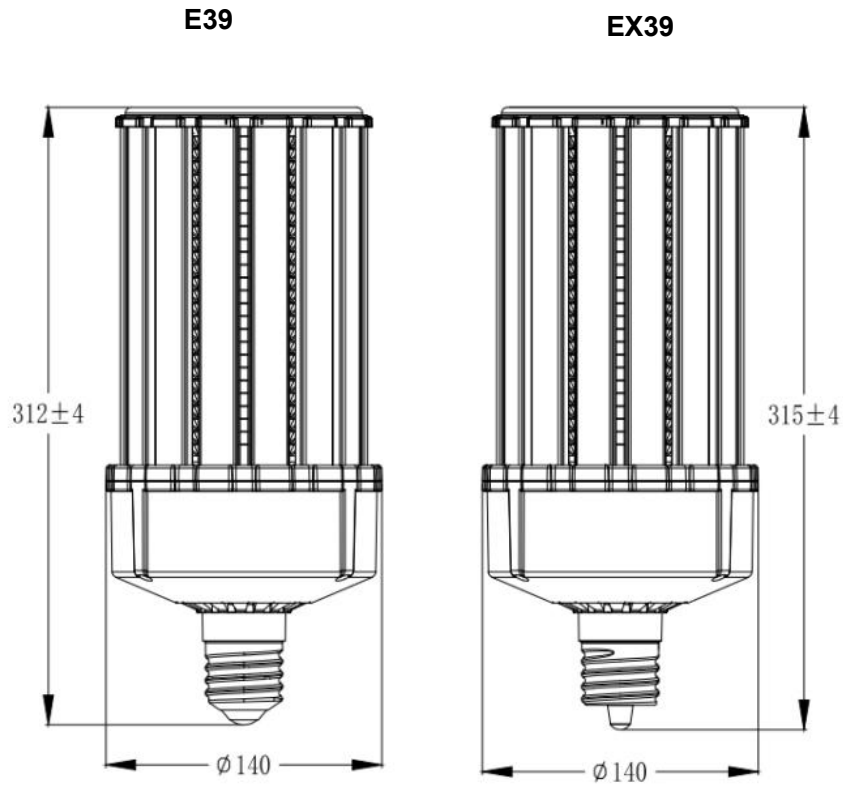
Luminous Intensity Distribution Curve



The Average Illuminance Effective Figure



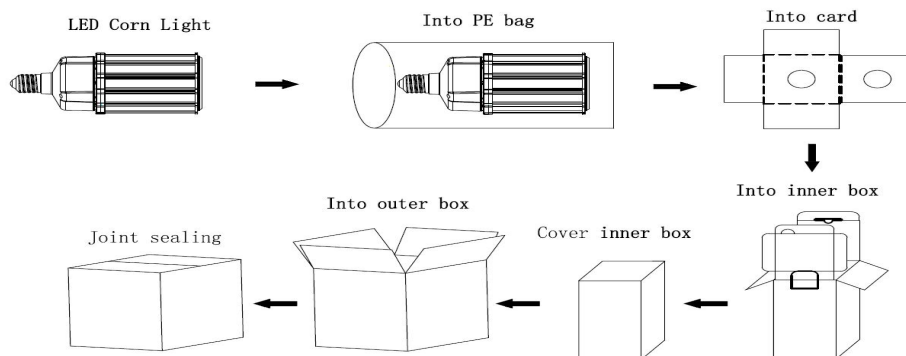
DIMENSIONS



PACKAGE

Tolerance of Outer Carton Size: ±15 MM[±0.59inch], Tolerance of Weight: ±10%.

	Size	Qty / Carton	Net Weight / Carton	Gross Weight / Carton
Inner box	145*145*360MM	1 PC	1.5 KG	1.6 KG
Outer box	450*305*375MM	6 PCS	9.6KG	10.34 KG



NOTICE FOR USER

- Please turn off power before install or change assembly parts.
- The input voltage and lamps should be matched.
- No-professionals, must not install and disassemble the lamps.
- Suitable for damp locations.
- Do not use with dimmers.
- Make sure to remove or bypass the ballast in the fixtures before install the lamps.
- Suitable for use in enclosed luminaires.
- min. luminaires compartment dimensions:420*220*220 MM.

TROUBLE SHOOTINGS

Troubles	Check points
Flickering of the light	Turn off the power and turn on again in 3 minutes. If same phenomena occur, then call agencies.
Out of working	Please check the connection.