



P/N: SU-CO-200W-30/40/50K-G1

Note:

SU= Company name;

CO = Product series, LED Corn Light;

200W= Rating Power;

30/40/50K=Can be referred to selectable CCT

3000K/4000K/5000K

G1=Can be referred to LED Corn Light series

APPLICATION

- Replacement Lamps for Outdoor Pole/Arm-mounted Decorative Luminaires (Type B)

ADVANTAGE

- UL cUL DLC-V5.1(Standard) certificate.
- E39/EX39 lamp base.
- Lumileds Chip, high CRI.
- Internal driver, input voltage 120-277VAC.
- Meet 6kV surge immunity level.
- Direct replacement for Metal Halide, easy installation.
- Fits many different fixtures to replace traditional lamps.
- Two dimming options are available, via knob dimming or via dial switch dimming.
- Long lifespan and good heat dissipation ,With Sunon fan

SPECIFICATIONS

| | | | | |
|-------------------|--|---|------------|------------|
| OPTICAL | Input Power (Tolerance : $\pm 10\%$) | 200W(Wattage adjustable: 0%-100%) | | |
| | Color Temperature (Color Tunable) | 3000K | 4000K | 5000K |
| | Lumen (Tolerance : $\pm 10\%$)In Luminaires | 25162.5LM | 27805.3 LM | 27715.3LM |
| | Efficacy (Tolerance : $\pm 3\%$)In Luminaires | 125.45LM/W | 142.09LM/W | 135.45LM/W |
| | CRI | >80 | | |
| | Color Consistency | <7 Steps (or <7 SDCM) | | |
| | Diffuser Type | Clear cover | | |
| | Beam Angle (50%) (Tolerance : $\pm 10\%$) | 142 Degree | | |
| ELECTRICAL | Input Voltage | 120-277VAC 50/60Hz | | |
| | PF (Tolerance : -3%) | ≥ 0.9 | | |
| | THD (Tolerance : +5%) | $\leq 20\%$ | | |
| | Flicker Percent | <30% | | |
| | Driver Surge protection | L-N: 6kV | | |
| | Dimmable | YES (via dial switch dimming or via knob dimming) | | |
| | Equivalent | 600W MHL/HPS/HID | | |
| MATERIALS | LED Brand | Lumileds | | |
| | LED Type | SMD2835 | | |
| | LED QTY | 455 pcs of 3000K + 455 pcs of 5000K | | |
| | Housing | PC + Aluminum | | |
| | Housing Color | Any colour | | |
| | Waterproof Rating | DAMP | | |
| OTHERS | Operating Temperature | -40°C TO 50°C | | |
| | Storage Temperature | -40°C TO 80°C | | |
| | Operating Humidity | 20% - 70% RH | | |
| | Storage Humidity | 10% - 75% RH | | |
| | Warranty | 5 years | | |

LIGHT DISTRIBUTION TESTING PARAMETERS

Remark: The testing data comes from the product in luminaires.

Report No.:

Test Time: 2023/11/18 17:39

Luminaire Property

Luminaire Manufacturer:
Luminaire Category:
Lamp Catalog:
Number of Lamps:
Luminous Length (mm):
Luminous Height (mm):
Current: 0.738 A
Power Factor: 0.926

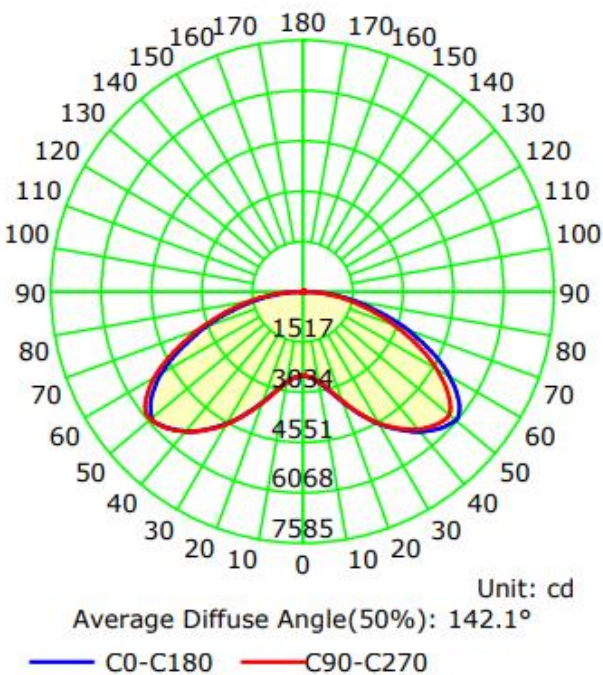
Luminaire Description:
Lamp Description:
Lumens per Lamp:
Luminous Width (mm):
Voltage: 277.0 V
Power: 189.35 W

Photometric Results

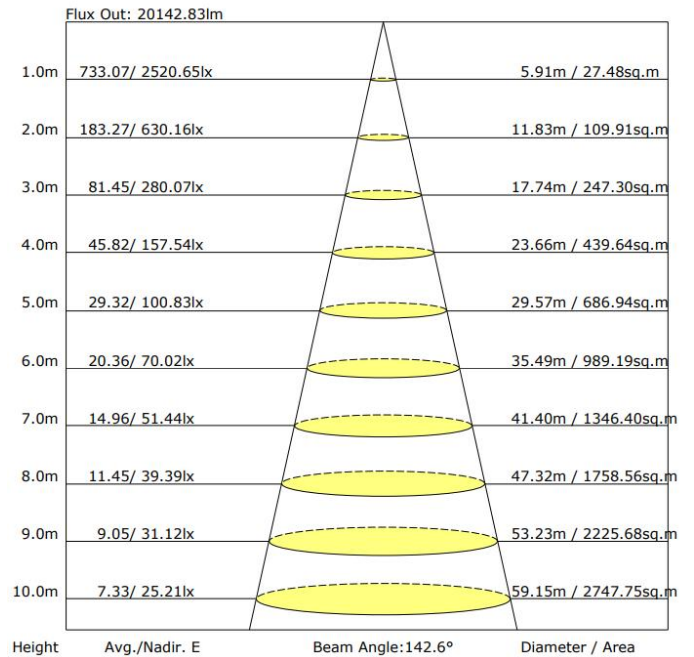
IES Classification: Type III
Total Rated Lamp Lumens: 23165.6 lm
Efficiency: 100%
Upward Ratio: 1%
C0r0 Intensity: 2520.65 cd
Pos of Max. Intensity: H292.5 V52
Beam Angle(C0/C180,C90/C270,C45/C225,C135/315): 142.6, 141.5, 141.8, 142.5

Longitudinal Classification: Very Short
Measurement Flux: 23165.6 lm
Downward Ratio: 99%
Luminaire Efficacy Rating (LER): 122.39
Max. Intensity: 6068.08 cd

Luminous Intensity Distribution Curve



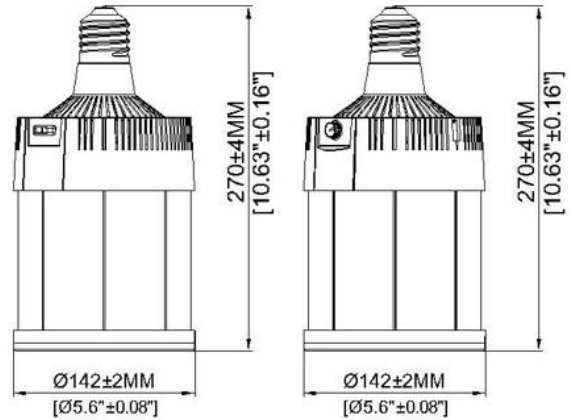
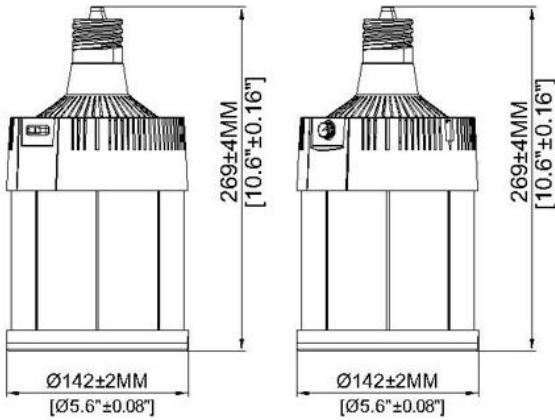
The Average Illuminance Effective Figure



DIMENSIONS

(EX39)

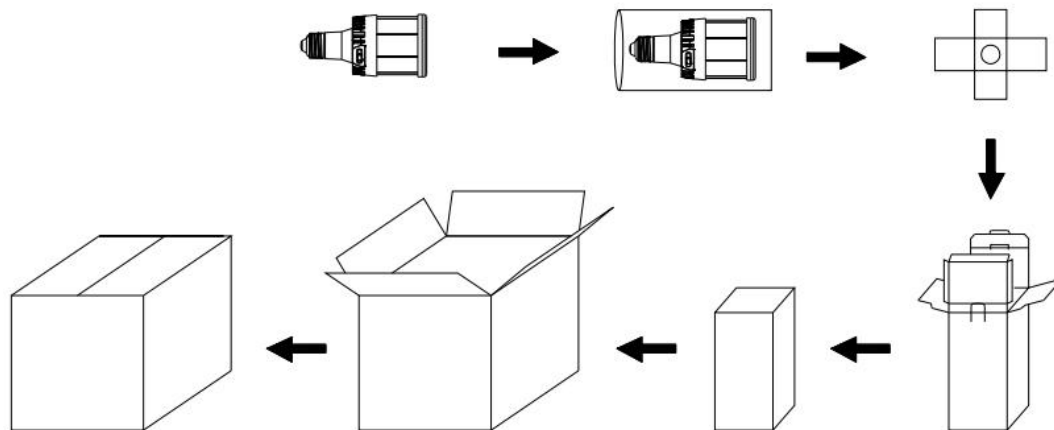
(E39)



PACKAGE

| | Size | Qty / Carton | Net Weight / Carton | Gross Weight / Carton |
|-----------|----------------------------------|--------------|---------------------|-----------------------|
| Inner box | 150*150*315 MM[5.9*5.9*12.4inch] | 1 PC | 1.3KG[2.87LBS] | 1.55KG[3.42LBS] |
| Outer box | 470*320*330 MM[18.5*12.6*13inch] | 6 PCS | 7.8KG[17.16LBS] | 11KG[24.25LBS] |

Tolerance of Outer Carton Size: ±15 MM[±0.59inch], Tolerance of Weight: ±10%.



NOTICE FOR USER

- Please turn off power before install or change assembly parts.
- The input voltage and lamps should be matched.
- No-professionals, must not install and disassemble the lamps.
- Suitable for damp locations.
- Do not use with dimmers.
- Make sure to remove or bypass the ballast in the fixtures before install the lamps.
- Suitable for use in enclosed luminaires.
- min. luminaires compartment dimensions:420*220*220 MM.

TROUBLE SHOOTINGS

| Troubles | Check points |
|-------------------------|--|
| Flickering of the light | Turn off the power and turn on again in 3 minutes. If same phenomena occur, then call agencies. |
| Out of working | Please check the connection. |