



P/N: SU-CO-150W-30/40/50K-G1

Note:

SU= Company name;

CO = Product series, LED Corn Light;

150W= Rating Power;

30/40/50K=Can be referred to selectable CCT

3000K/4000K/5000K

G1=Can be referred to LED Corn Light series

APPLICATION

- Replacement Lamps for Outdoor Pole/Arm-mounted Decorative Luminaires (Type B)

ADVANTAGE

- UL cUL DLC-V5.1(Standard) certificate.
- E39/EX39 lamp base.
- Lumileds Chip, high CRI.
- Internal driver, input voltage 120-277VAC.
- Meet 6kV surge immunity level.
- Direct replacement for Metal Halide, easy installation.
- Fits many different fixtures to replace traditional lamps.
- Two dimming options are available, via knob dimming or via dial switch dimming.
- Long lifespan and good heat dissipation ,With Sunon fan

SPECIFICATIONS

OPTICAL	Input Power (Tolerance : $\pm 10\%$)	150W(Wattage adjustable: 0%-100%)		
	Color Temperature (Color Tunable)	3000K	4000K	5000K
	Lumen (Tolerance : $\pm 10\%$)In Luminaires	19342.8LM	21241.1LM	21287.5 LM
	Efficacy (Tolerance : $\pm 3\%$)In Luminaires	120.93LM/W	136.47LM/W	133.39LM/W
	CRI	>80		
	Color Consistency	<7 Steps (or <7 SDCM)		
	Diffuser Type	Clear cover		
	Beam Angle (50%) (Tolerance : $\pm 10\%$)	120 Degree		
ELECTRICAL	Input Voltage	120-277VAC 50/60Hz		
	PF (Tolerance : -3%)	≥ 0.9		
	THD (Tolerance : +5%)	$\leq 20\%$		
	Flicker Percent	<30%		
	Driver Surge protection	L-N: 6kV		
	Dimmable	YES (via dial switch dimming or via knob dimming)		
	Equivalent	400W MHL/HPS/HID		
MATERIALS	LED Brand	Lumileds		
	LED Type	SMD2835		
	LED QTY	390 pcs of 3000K + 390 pcs of 5000K		
	Housing	PC + Aluminum		
	Housing Color	Any colour		
	Waterproof Rating	DAMP		
OTHERS	Operating Temperature	-40°C TO 50°C		
	Storage Temperature	-40°C TO 80°C		
	Operating Humidity	20% - 70% RH		
	Storage Humidity	10% - 75% RH		
	Warranty	5 years		

LIGHT DISTRIBUTION TESTING PARAMETERS

Remark: The testing data comes from the product in luminaires.

Report No.:

Test Time: 2023/11/18 15:55

Luminaire Property

Luminaire Manufacturer:
Luminaire Category:
Lamp Catalog:
Number of Lamps:
Luminous Length (mm):
Luminous Height (mm):
Current: 1.194 A
Power Factor: 0.993

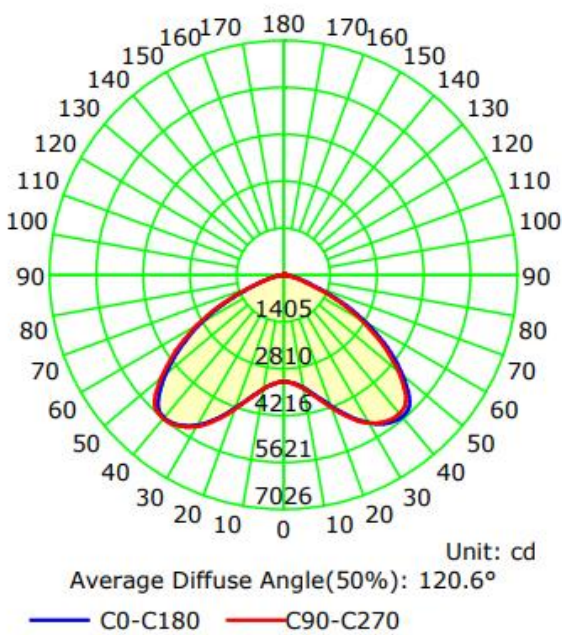
Luminaire Description:
Lamp Description:
Lumens per Lamp:
Luminous Width (mm):
Voltage: 120.0 V
Power: 142.26 W

Photometric Results

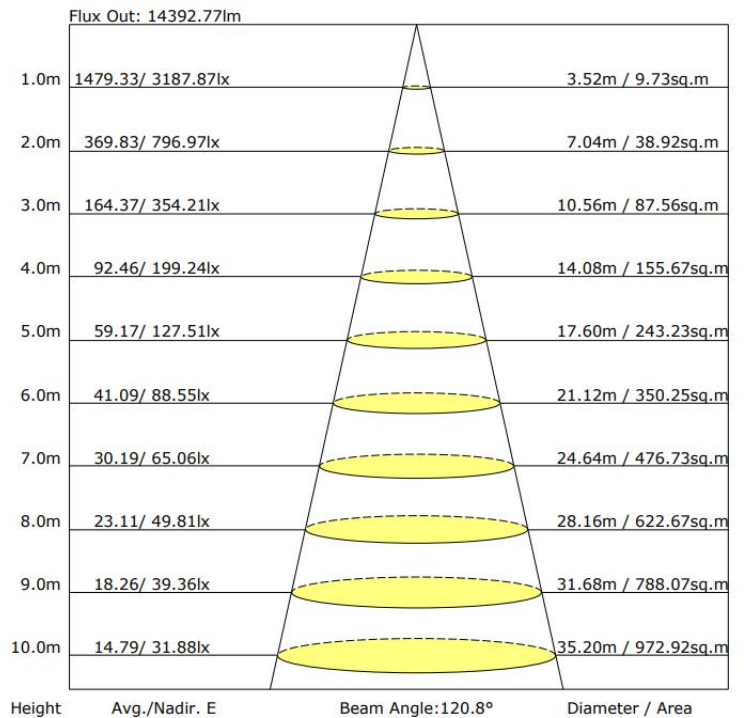
IES Classification: Type II
Total Rated Lamp Lumens: 16876.5 lm
Efficiency: 100%
Upward Ratio: 1%
C0r0 Intensity: 3187.87 cd
Pos of Max. Intensity: H270 V40
Beam Angle(C0/C180,C90/C270,C45/C225,C135/315): 120.8, 120.3, 120.5, 120.9

Longitudinal Classification: Very Short
Measurement Flux: 16876.5 lm
Downward Ratio: 99%
Luminaire Efficacy Rating (LER): 118.68
Max. Intensity: 5621.58 cd

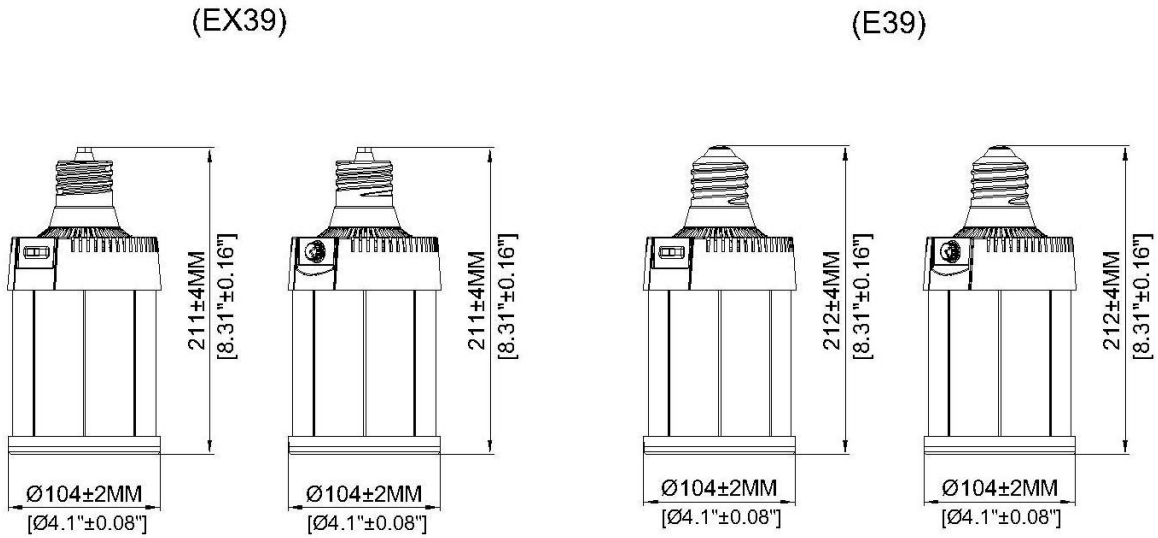
Luminous Intensity Distribution Curve



The Average Illuminance Effective Figure



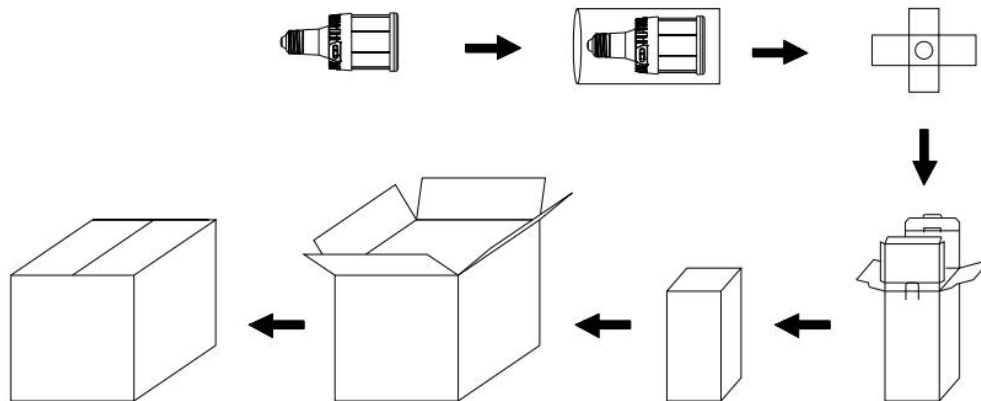
DIMENSIONS



PACKAGE

	Size	Qty / Carton	Net Weight / Carton	Gross Weight / Carton
Inner box	110*110*255MM[4.3*4.3*10inch]	1 PC	0.78 KG[1.72LBS]	0.88 KG[1.94LBS]
Outer box	460*350*270MM[18.1*13.8*10.63inch]	12 PCS	9.4KG[20.72LBS]	13.0 KG[28.66LBS]

Tolerance of Outer Carton Size: ±15 MM[±0.59inch], Tolerance of Weight: ±10%.



NOTICE FOR USER

- Please turn off power before install or change assembly parts.
- The input voltage and lamps should be matched.
- No-professionals, must not install and disassemble the lamps.
- Suitable for damp locations.
- Do not use with dimmers.
- Make sure to remove or bypass the ballast in the fixtures before install the lamps.
- Suitable for use in enclosed luminaires.
- min. luminaires compartment dimensions:420*220*220 MM.

TROUBLE SHOOTINGS

Troubles	Check points
Flickering of the light	Turn off the power and turn on again in 3 minutes. If same phenomena occur, then call agencies.
Out of working	Please check the connection.