



FEATURES & SPECIFICATIONS



All in one

3 Power/ 3CCT:40k-50k-65k Adjustable

Finish

powder coated, post-painted black or white

LED

Long-life, high-efficacy, SMD LED

Backup Emergency

Emergency Battery Option

Lifespan

L70 > 50,000 hours

Certifications

ETL Listed, FCC, DLC 5.1 Premium.

Construction

Die-cast aluminum housing & driver housing

Driver

120-277V,0-10V Dimming

Control

Motion&PIR sensor plug and play bracket

Mounting

Chain Mount (included).Pendant mounting is available.

Operating temperature

-4°F~104°F

Warranty

Five-year Limited Warranty.



Order Information

Size	Part No.	Power	Luminous Efficacy	Luminous Flux	Input Voltage	CCT
13.6"	SU-UFO-250W-XXK G2	150W-220W-250W	160 lm/W	40800 lm	120-277V	3CCT

"Note: 3CCT=4000K-5000K-6500K"

Sensor Options

FEATURES

- Newest design with 5 Manual Switches, easy programming.
- 12VDC Input, 0-10V Dimming, with Daylight Harvesting and Photocell Function.
- Elegant and classic round design, with rotators for easy programming.
- Rotator & Remote control.



On/Off Control



Detection Area



Stand-by dimming level



Hold Time



IP Rating



Certificate



5 Years Warranty



TECHNICAL DATA

PIR Information

Infrared Wavelength	5-14um
Output Signal Peak	≥3500mV
PIR Sensitivity	3200V/W
Installation Height	≤12m/39.37ft
Detection Distance	3-7m/9.84-22.96ft
Detection Angle	<120° Fersnel Lens
Working Temp	-20°C~+60°C

Electrical Specifications

Input Range	12-24VDC
Stand-by Power	<15mA
Warm-up Period	50s
Output control	Should be ON/OFF 0-10V DIM

Match Emergency Drivers

*Work compatibly with EM driver, please make sure it follows below conditions:

1. Switching capacity <1mA
2. LED driver' s OFF voltage at 1mA is 0.25-0.3V
3. Single fixture connected.

Sensor Parameter

Control Device	Remote Control #HD06R(purchase separately) Manual Switches
Detection Area	Remote Control : 25% / 50% / 75% / 100% Rotating switch: 25% / 50% / 75% / 100%
Hold Time	Remote Control: 5s / 30s / 1min / 3min / 5min / 10min / 20min / 30min Rotating switch: 5s/1min/ 5min/10min
Daylight Threshold	Remote Control: 2lux / 10lux / 30lux / 50lux / 80lux / 120lux / 200Lux / 250Lux / 300lux / 350Lux / 400Lux / Disable Rotating switch: 50Lux / 200Lux / 400Lux / Disable
Standby Period	Remote Control: 0s / 10s / 30s / 1min / 5min / 10min / 30min / 60min / +∞ Rotating switch: 0s / 10min / 30min / +∞
Standby Dimming Level	Remote Control: 10% / 20% / 30% / 50% Rotating switch: 10% / 20% / 30% / 50%
Automatically Dimming (Daylight Harvesting)	1. Stay in SENSOR MODE 2. STANDBY PERIOD as 0S 3. DAYLIGHT as any of 50Lux / 80Lux / 120Lux / 200Lux / 250Lux / 300Lux / 350Lux / 400Lux 4. Press DAYLIGHT HARVESTING button to ON
Automatically ON/OFF (Photocell)	1. STANDBY DIM LEVEL as any of 10% 20% 30% 2. STANDBY PERIOD as infinite 3. DAYLIGHT as any of 30Lux / 50Lux / 80Lux / 120Lux / 200Lux / 250Lux / 300Lux / 350Lux / 400Lux

Remote control

SU-HD06R

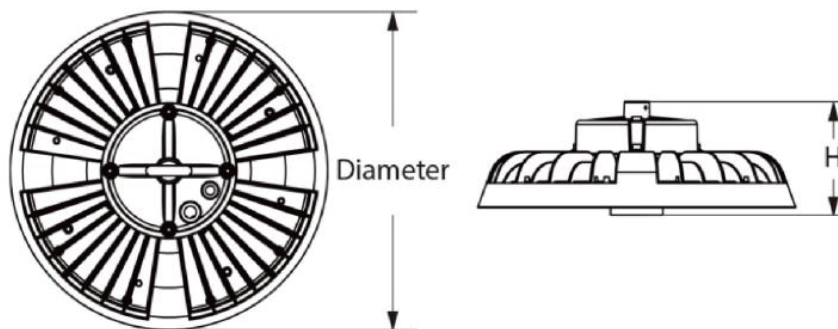


Packing / weight

Diameter	Outer Box (L x W x H)	Qty/Ctn (pcs)	G. W/Ctn (lbs)	Container 20GP	Container 40HQ
13.6"	14.8 x 14.8 x 5.35 in 377 x 377 x 136 mm	1	7.9	1500 pcs	3000 pcs

Dimension

Item	DxH(inch)
180-250W	13.6" x 4.1"



Warranty

This product has a warranty of period of 5 years from the date of purchase. The warranty is invalid in the case of improper use, installation, tampering or removal of the Q.C. and/or date label, usage in improper working environment or installation not according to the current edition of the National Electric Code. Should this product fail during the warranty period it will be replaced free of charge, subject to correct installation and return of the faulty unit. Manufacturer does not accept responsibility for any installation costs associated with the replacement of this product. This warranty is in addition to the statutory rights in your country of purchase. Manufacturer reserves the right to alter specifications without prior notice.

Note

- 1.The installation and maintenance must be completed by electricians or professionals.
- 2.Please cut off the power before installation and maintenance.
- 3.The thermally insulating material is not allowed to cover the fixture.
- 4.Please keep away from the corrosive substance, and keep the fixture dry and clean.
- 5.Working temperature: -4°F~104°F, storage temperature: -22°F~140°F.