



Description

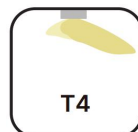
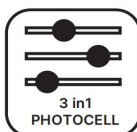
NETWORK's new LED semi-cutoff wall packs are your first choice for wall mounted lighting projects. 3 IN 1 switch is selectable for CCT, wattage, and photocell ON/OFF control. D2D photocell can automatically turn off at sunrise or during the day, and automatically light up at sunset or night. It is a highly efficient lighting solution that provides a long-lasting and energy-saving.

Application

- Factory
- Warehouse
- Walkways
- Hallways
- Outdoor Commercial
- Outdoor Residential

Certificate

- UL
- DLC



Key Features

- High efficacy up to 150 lm/W.
- 3CCT(4000/5000/5700K) and 4 wattages selectable offer SKU reduction.
- AC120-277V for options.
- High UV resistance polycarbonate lens version provides uniform lighting distribution and large beam angle.
- The Borosilicate prismatic glass version provides a durable lifetime and good texture.
- ADC12 Aluminum die-casting housing provides excellent heat dissipation.
- Automated dusk-to-dawn photocell functionality.
- Reflector and wire guard accessories available.
- Microwave motion sensor and emergency driver available.
- Waterproof rated IP65.

Durable die-cast aluminum housing



Microwave motion sensor
(Zhaga receptacle)

Two kinds of lens

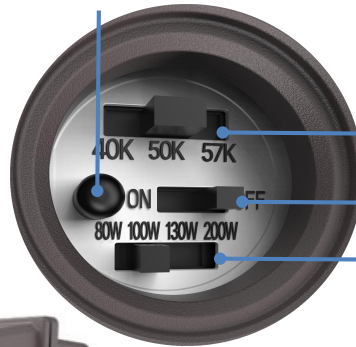


Glass



Polycarbonate

Built-in photocell



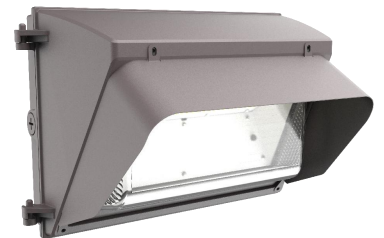
Field-adjustable CCT

3CCT Selectable: 4000K/5000K/5700K.

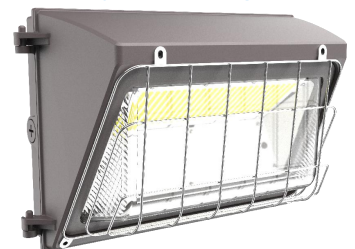
Photocell ON/OFF

Field-adjustable wattage
4 Wattage selectable.

1/2" Knockouts



Wall pack with glare shield



Wall pack with wire guard

Performance Summary

Model NO. #	Size	Watts	3 CCT	LPW	Lumens(±10%)	Voltage	DIM	CRI	Beam Angle
SU-WP-200W-CCT-G1	18"	80/100/130/200W Selectable	3CCT Selectable 4000K 5000K 5700K	150lm/W	22500LM@150W	AC120-277V	0-10V driver	>80	Type IV

Remarks: 1. All above efficacy and lumens are subject to CRI>80 @4000K, please check IES files for accurate data.

2. SU-WP-200W-CCT-G1, xC: Use any character to represent the shell color. The default null value is brown, black is represented by BL, and white by WH, GX for commercial, can be any two characters or blank.

3. CCT & Power Selectable models ship preset at the highest CCT and the highest wattage. Factory default settings for Photocell is ON.

Performance

- LED Type: SMD2835
- Frequency: 50/60HZ
- Power Factor: ≥0.90
- Operating Temp.: -40°F to 113°F (-40°C to +45°C)
- IP Rating: IP65
- THD: <20%
- Life Time: L70 @ 50,000Hrs
- Surge Protection: L/N 6KV, L/N-P 6KV
L-N/L&N-PE:4+6KV(120-277V,40W)

Construction

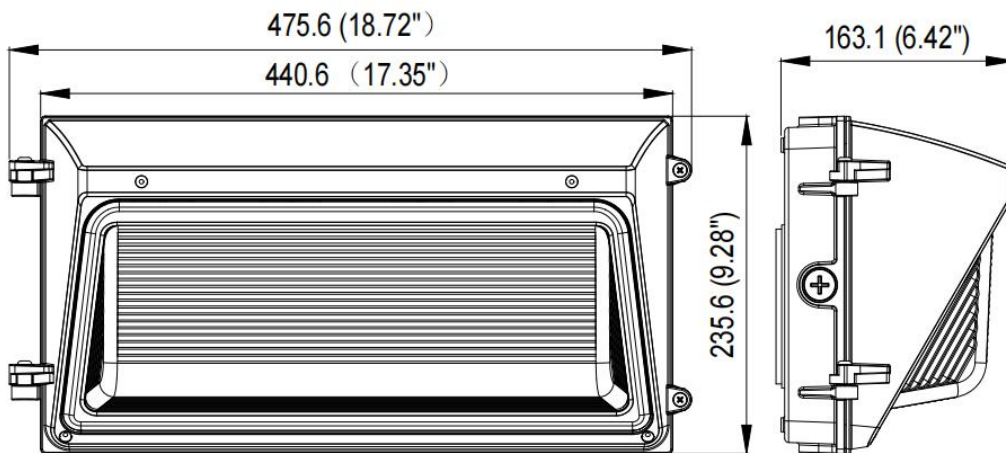
- Lens: Glass / Polycarbonate
- Housing: Die-cast aluminum
- Finish: Bronze

Mounting

- Wall Mount
- Five 1/2" knockouts: one on each side for convenient installation

Product Dimension

(unit: mm & inch)



18"

Packing Info.

Product Size (inch & mm)	N.W./PCS (KG)		G.W./CTN (KG)		Carton Size (inch & mm)	Q'ty/CTN (PCS)	20GP (PCS)	40HQ (PCS)
	Glass lens	PC lens	Glass lens	PC lens				
18" 18.72*9.28*6.42" 475.6*235.6*163.1mm	4.6	3.7	5.5	4.6	20.04×11.5×8.66" 509×292×220mm	1	850	1958