



P/N: SU-UFO-240WLC-40/50/57K-G1

**Note:**

SU= Company name;

UFO = Product series, LED High Bay Light;

240W= Rating Power;

L=Can be referred to lens, blank for 90 degree

C=Can be referred to housing color, blank for black

40/50/57K=Can be referred to selectable CCT 4000K/5000K/5700K

G1=Can be referred to LED High Bay Light series

**ADVANTAGE**




- UL cUL DLC certificate.
- Lumileds Chip, high CRI.
- Input voltage 120-277VAC.
- Output constant current lever can be adjusted through output cable with 0-10V.
- No UV or IR in the beam.
- Easy to install and operate.
- Energy saving, long lifespan.
- Light is soft and uniform, safe to eyes.
- Instant start, NO humming.

**APPLICATION**

- Warehouse, factory and workshops;
- Highway toll station and gas station;
- Exhibition hall;
- Gymnasium and supermarkets, etc.



## SPECIFICATIONS

<b>OPTICAL</b>	Input Power (Tolerance : ±10%)	240W (wattage adjustable: 50-100%or240W/200W/150W)		
	Color Temperature(Color Tunable)	4000K	5000K	5700K
	Lumen (Tolerance :±10%)	33600LM	37200LM	34800LM
	Efficacy (Tolerance : ±3%)	140LM/W	155LM/W	145LM/W
	CRI	>80		
	Color Consistency	<7 Steps (or <7 SDCM)		
	UGR	<28 (X=4H, Y=8H; S/H=1; Reflectances: 70%/50%/20%)		
	Diffuser Type	PC Lens		
	Beam Angle (50%) (Tolerance : ±10%)	90 Degree		
<b>ELECTRICAL</b>	Input Voltage and Frequency	120-277VAC, 50/60Hz		
	PF (Tolerance : -3%)	≥0.9		
	THD (Tolerance : +5%)	≤20%		
	Flicker Percent	<5%		
	Driver Brand	Sosen Driver (0-10V dimming )		
	Driver Model	SS-150CNH-300BHD		
	Driver Surge protection	L/N-PE: 6kV, L-N: 6kV		
	Dimming	0-10V dimming standard(off)		
	Sensor Type	Daylight Sensor, Occupancy Sensor, Integral sensor Receptacle		
	Optional Accessory	Motion mircowave Sensor, PIR motion sensor, Surge-protective Device		
<b>MATERIALS</b>	LED Brand	Lumileds		
	LED Type	SMD2835		
	LED QTY	768PCS		
	Housing	Die-cast aluminum		
	Housing Color	Black		
	Waterproof Rating	WET ( IP65 )		
<b>OTHERS</b>	Operating Temperature	Without Motion Sensor: -40°C TO 50°C		
		With Motion Sensor: -30°C TO 50°C		
	Storage Temperature	-40°C TO 80°C		
	Operating Humidity	20% - 90% RH		
	Storage Humidity	10% - 95% RH		
Warranty	5 years			
<b>Optional accessories</b>	Sensor	Remote control	PC cover	
				

## LIGHT DISTRIBUTION TESTING PARAMETERS

### Luminaire Property

Luminaire Manufacturer:  
Luminaire Category:  
Lamp Catalog:  
Number of Lamps:  
Luminous Length (mm): -282  
Luminous Height (mm):  
Current: 1.959 A  
Power Factor: 0.999

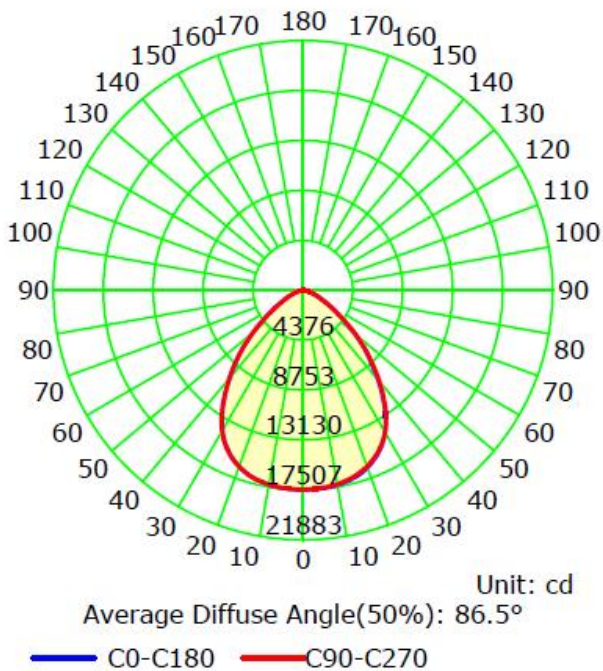
Luminaire Description:  
Lamp Description:  
Lumens per Lamp:  
Luminous Width (mm): -282  
Voltage: 120.0 V  
Power: 234.85 W

### Photometric Results

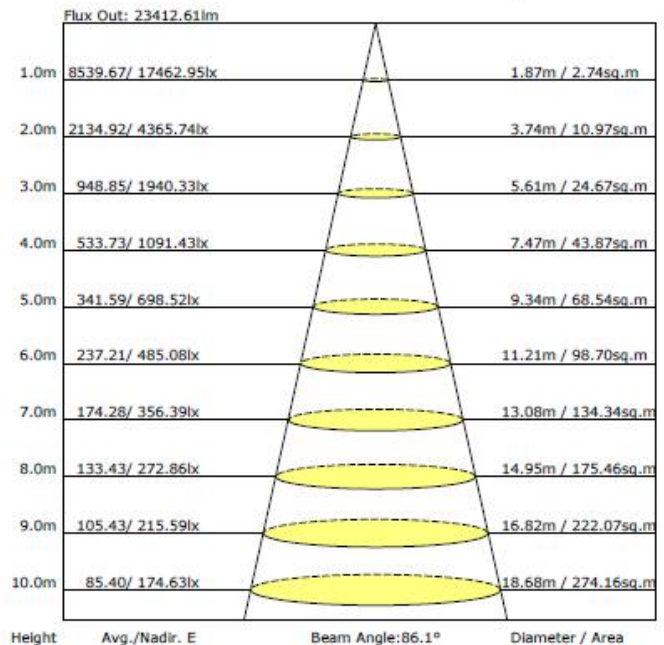
IES Classification: Type I  
Total Rated Lamp Lumens: 33786.6 lm  
Efficiency: 100%  
Upward Ratio: 1%  
C0r0 Intensity: 17462.95 cd  
Pos of Max. Intensity: H292.5 V1  
Beam Angle(C0/C180,C90/C270,C45/C225,C135/315): 86.1, 87.0, 86.6, 86.8

Longitudinal Classification: Very Short  
Measurement Flux: 33786.6 lm  
Downward Ratio: 99%  
Luminaire Efficacy Rating (LER): 143.91  
Max. Intensity: 17507.18 cd

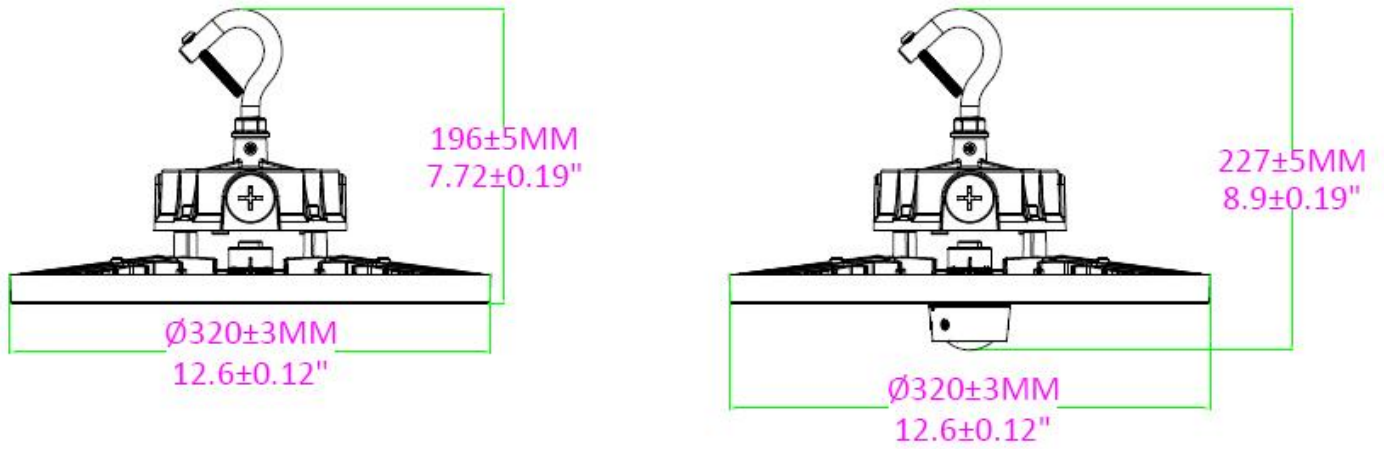
Luminous Intensity Distribution Curve



The Average Illuminance Effective Figure



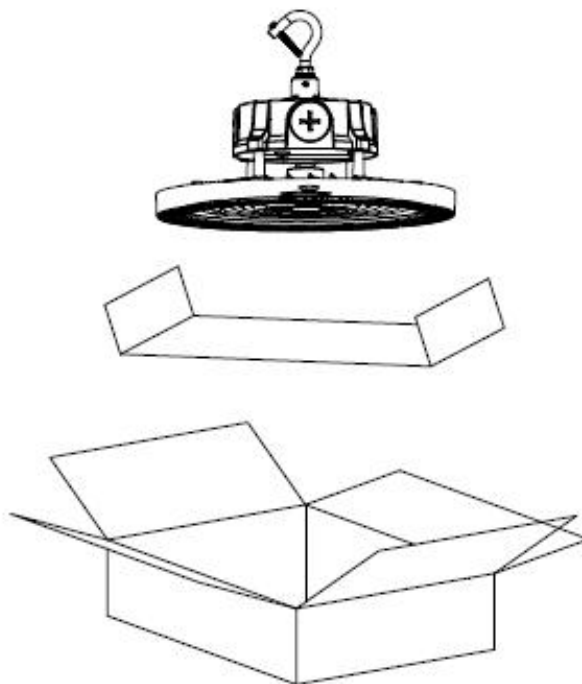
## DIMENSIONS



## PACKAGE

Lamp Type	Carton Size	Qty / Carton	Net Weight / Carton	Gross Weight / Carton
Pendent	300*300*140MM[11.81*11.81*5.51inch]	1PCS	2.0KG[4.40LBS]	2.7KG[5.95LBS]

Tolerance of Carton Size:  $\pm 15 \text{ MM} [\pm 0.59 \text{ inch}]$ , Tolerance of Weight:  $\pm 10\%$ .



## NOTICE FOR USER

- Please turn off power before install or change assembly parts.
- The input voltage and lamps should be matched, after connecting the power line, Please make sure the wiring section is insulated.
- No-professionals, must not install and disassemble the lamps.

## TROUBLE SHOOTINGS

Troubles	Check points
Flickering of the light	Turn off the power and turn on again in 3 minutes. If same phenomena occur, then call agencies.
Out of working	Please check the connection.