



P/N: SU-UFO-150WLC-40/50/57K-G1

Note:

- SU= Company name;
- UFO = Product series, LED High Bay Light;
- 150W= Rating Power;
- L=Can be referred to lens, blank for 90 degree
- C=Can be referred to housing color, blank for black
- 40/50/57K=Can be referred to selectable CCT 4000K/5000K/5700K
- G1=Can be referred to LED High Bay Light series

ADVANTAGE




- UL cUL DLC certificate.
- Lumileds Chip, high CRI.
- Input voltage 120-277VAC.
- Output constant current lever can be adjusted through output cable with 0-10V.
- No UV or IR in the beam.
- Easy to install and operate.
- Energy saving, long lifespan.
- Light is soft and uniform, safe to eyes.
- Instant start, NO humming.
- Green and eco-friendly without mercury.

APPLICATION

- Warehouse, factory and workshops;
- Highway toll station and gas station;
- Exhibition hall;
- Gymnasium and supermarkets, etc.



SPECIFICATIONS

OPTICAL	Input Power (Tolerance : ±10%)	150W (wattage adjustable: 50-100%or150W/100W/80W)		
	Color Temperature(Color Tunable)	4000K	5000K	5700K
	Lumen (Tolerance :±10%)	21000LM	23250LM	21750LM
	Efficacy (Tolerance : ±3%)	140LM/W	155LM/W	145LM/W
	CRI	>80		
	Color Consistency	<7 Steps (or <7 SDCM)		
	UGR	<28 (X=4H, Y=8H; S/H=1; Reflectances: 70%/50%/20%)		
	Diffuser Type	PC Lens		
	Beam Angle (50%) (Tolerance : ±10%)	90 Degree		
ELECTRICAL	Input Voltage and Frequency	120-277VAC, 50/60Hz		
	PF (Tolerance : -3%)	≥0.9		
	THD (Tolerance : +5%)	≤20%		
	Flicker Percent	<5%		
	Driver Brand	Sosen Driver (0-10V dimming)		
	Driver Model	SS-150CNH-300BHD		
	Driver Surge protection	L/N-PE: 6kV, L-N: 6kV		
	Dimming	0-10V dimming standard(off)		
	Sensor Type	Daylight Sensor, Occupancy Sensor, Integral sensor Receptacle		
	Optional Accessory	Motion mircowave Sensor, PIR motion sensor, Surge-protective Device		
	MATERIALS	LED Brand	Lumileds	
LED Type		SMD2835		
LED QTY		448PCS		
Housing		Die-cast aluminum		
Housing Color		Black		
Waterproof Rating		WET (IP65)		
OTHERS	Operating Temperature	Without Motion Sensor: -40°C TO 50°C		
		With Motion Sensor: -30°C TO 50°C		
	Storage Temperature	-40°C TO 80°C		
	Operating Humidity	20% - 90% RH		
	Storage Humidity	10% - 95% RH		
Warranty	5 years			
Optional accessories	Sensor	Remote control	PC cover	
				

LIGHT DISTRIBUTION TESTING PARAMETERS

Luminaire Property

Luminaire Manufacturer:
Luminaire Category:
Lamp Catalog:
Number of Lamps:
Luminous Length (mm): -237
Luminous Height (mm):
Current: 1.221 A
Power Factor: 0.998

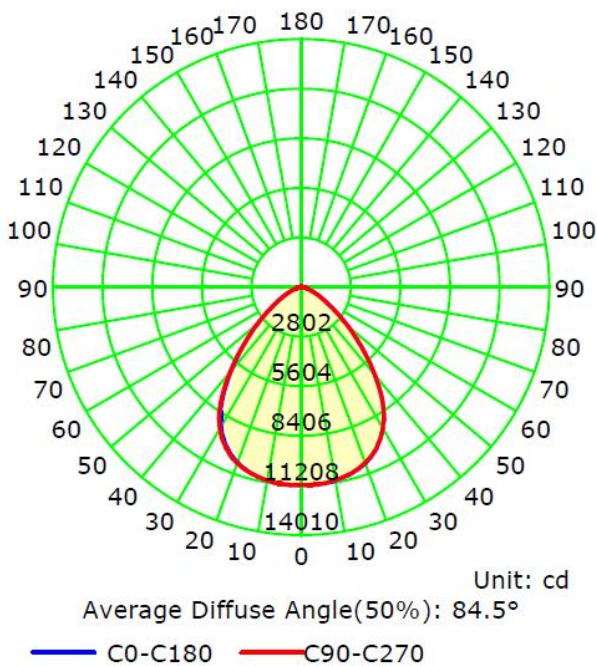
Luminaire Description:
Lamp Description:
Lumens per Lamp:
Luminous Width (mm): -237
Voltage: 120.0 V
Power: 146.20 W

Photometric Results

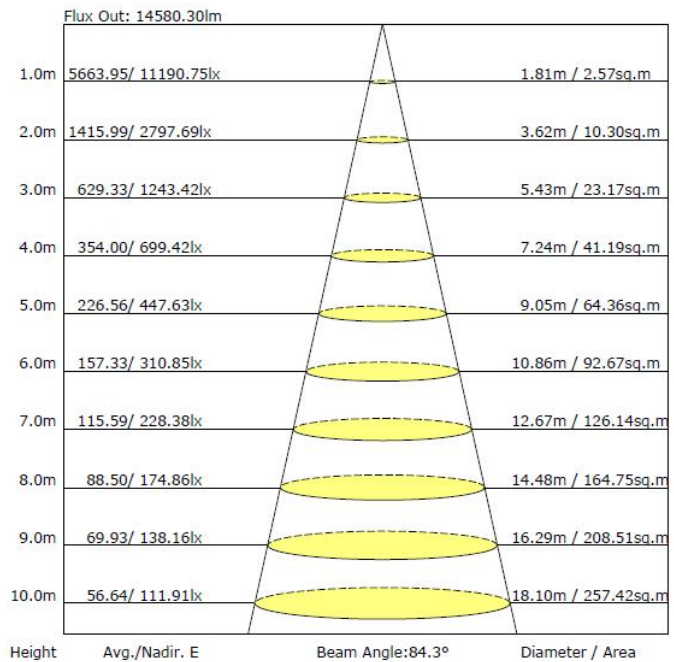
IES Classification: Type I
Total Rated Lamp Lumens: 21015.1 lm
Efficiency: 100%
Upward Ratio: 1%
C0r0 Intensity: 11190.75 cd
Pos of Max. Intensity: H180 V3
Beam Angle(C0/C180,C90/C270,C45/C225,C135/315): 84.3, 84.8, 84.5, 84.6

Longitudinal Classification: Very Short
Measurement Flux: 21015.1 lm
Downward Ratio: 99%
Luminaire Efficacy Rating (LER): 143.79
Max. Intensity: 11208.63 cd

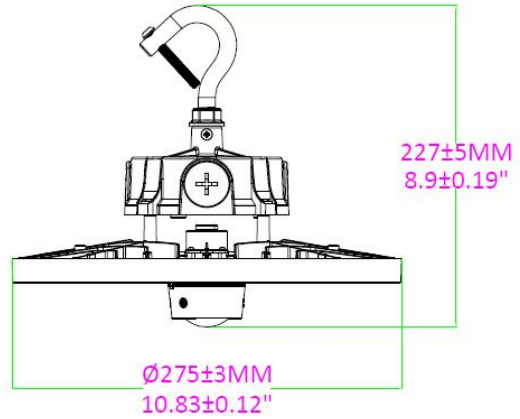
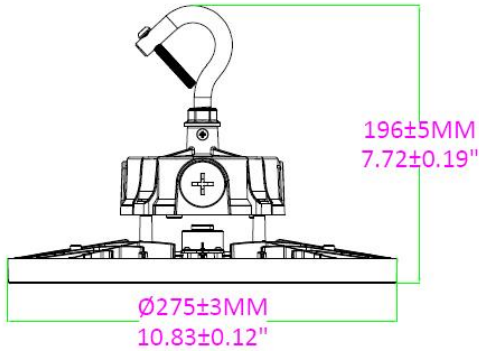
Luminous Intensity Distribution Curve



The Average Illuminance Effective Figure



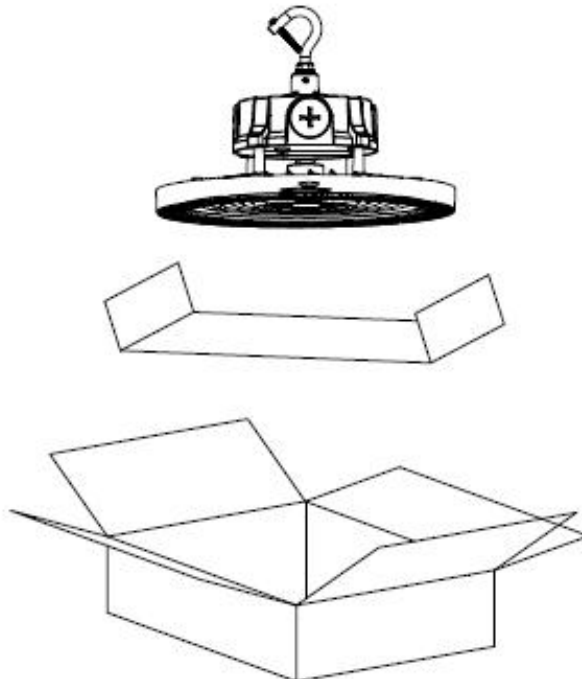
DIMENSIONS



PACKAGE

Lamp Type	Carton Size	Qty / Carton	Net Weight / Carton	Gross Weight / Carton
Pendent	300*300*140MM[11.81*11.81*5.51inch]	1PCS	2.0KG[4.40LBS]	2.7KG[5.95LBS]

Tolerance of Carton Size: ±15 MM[±0.59inch], Tolerance of Weight: ±10%.



NOTICE FOR USER

- Please turn off power before install or change assembly parts.
- The input voltage and lamps should be matched, after connecting the power line, Please make sure the wiring section is insulated.
- No-professionals, must not install and disassemble the lamps.

TROUBLE SHOOTINGS

Troubles	Check points
Flickering of the light	Turn off the power and turn on again in 3 minutes. If same phenomena occur, then call agencies.
Out of working	Please check the connection.