



LCD Screen Display

Brightness Output	Detection Area
CCT Output	Holdtime
AM Auto Mode (ON if it's shown as AM)	DH^{ON}_{OFF} Daylight Harvesting(ON/OFF)
SC-01 Scene Options (1-4)	Standby Dim Level
S M S(Start) M(Memory)	Standby Period
	Daylight Threshold

Electric Parameters

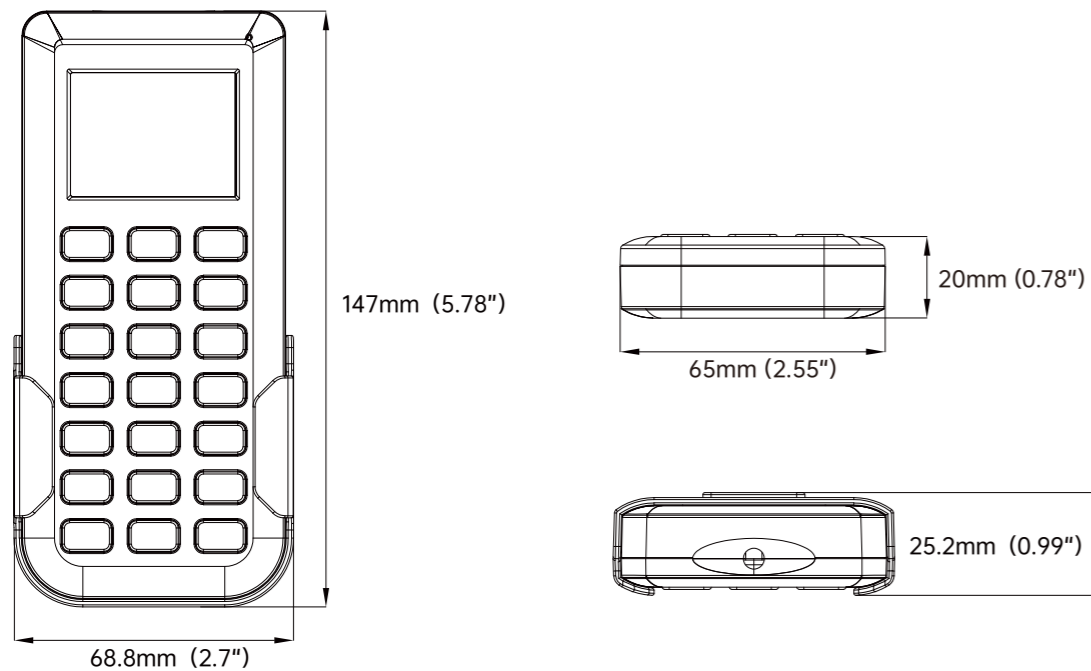
Working Voltage: AAA battery * 2pcs (2.2-3V)Screen
 OFF Duration: 60S
 Icon Flicking Duration: 5S
 S(start) button ON Duration: 10S
 M(Memory) button Flicking Duration: 3S
 Carrier Frequency: 38KHz±2KHz
 Operation Distance Max. 15M/49ft (3V)

Emission Angle: < 30 degree
 Standby Current: < 1.2uA
 Working Current: < 5mA
 Peak Current: < 30mA
 Working Temp: -20°C~+60°C
 Storage Temp: -30°C~+85°C

Button Layout

Button	Description	Button	Description	Button	Description
ON/OFF	1.Turn on or off light 2.Exit sensor mode and enter into ON/OFF mode.	Auto	Press this button, enter into sensor mode and perform the last parameter, press this button and Auto Mode will show on LCD screen display, means commands received successfully.	Reset	Press the button to enter into factory settings, means sensor starts to detect motion and turn on light automatically and only keep 5S holdtime then turn off the light.
Scenes	Press the button to choose in 4 optional scenes; parameters can be saved into each scene and directly activate it.	Start	Press the button to start programming; the S icon will appear on the LCD screen, and disappear if no action within 10S, need to press it again.	Memory	Press the button to save the parameters, the M icon will appear on the LCD screen, means parameters saved successfully.
Apply	Press the button to deliver the saved parameters to target sensors.	M H Mounting Height	* Press the button to relatively adjust sensitivity from the sensor according to real Pinstallation height, make sensors working more perfectly in the environment.	Send	* Press the button to deliver the last parameters, instead of"START-MEMORY-APPLY
Detection range	Press the button, the icon will flick on LCD screen display, then use +/- buttons to choose the wanted parameters.	Daylight sensor	Press the button, the icon will flick on LCD screen display, then use +/- buttons to choose the wanted daylight level; the max level is 400lux, --- means diasble, LEN means learning ambient brightness.	Stand-by dimming	Press the button, the icon will flick on LCD screen display, then use +/- buttons to choose the wanted standby dim level.
Hold time	Press the button, the icon will flick on LCD screen display, then use +/- buttons to choose the wanted holdtime.	UP	Press the button, numbers on LCD screen display gets higher till the wanted one appears.	Stand-by period	Press the button, the icon will flick on LCD screen display, then use +/- buttons to choose the wanted standby period; the min is 0S, the max is infinite.
CCT	* (Only supporting sensors with CCT tunable feature) Press the button, then icon will flick on LCD screen display, then use +/- buttons to choose from the saved CCT options(2700K, 3500K, 4000K, 5000K, 5700K, 6500K).	DOWN	Press the button, numbers on LCD screen display gets lower till the wanted one appears.	POWER	Press the button, the icon will flick on LCD screen display, then use +/- buttons to choose wanted brightness level. *In ON/OFF mode, output dimming range is 10%-100%; In SENSOR mode, output dimming range is 60%-100%.
Reserved	This is a reserved button for future updates with unexpected feature.	Daylight Harvesting	* Make parameters according to daylight harvesting conditions, then press this button to activate this function; DH-ON will show on LCD screen display.	Test	Press the button to quickly perform testing function, keep only 2S ON then OFF, till motion gets detected and turn on light again.

Dimensions



Operation Guide

1. How to activate the daylight harvesting function?

- 1.1. Press the "Reset" or "Auto" button, enter into the sensor mode.
- 1.2. Press "Hold time" button and press "+" button or "-" button to set the hold time to 10min/ 20min/ 30min.
- 1.3. Set the "Daylight threshold" higher than 50LUX
- 1.4. Set "standby period" 0S;
- 1.5. Press the "DH" button, the icon will flick on LCD screen, and shows **DH^{ON}**, You will see light OFF then ON for once as command's received.

2. How to set high-end trim function?

- 2.1. Press the "Reset" or "Auto" button, enter into the sensor mode.
- 2.2. Press "Power" button
- 2.3. Press the "+" button to dim up the power and press "-" button to lower down the power to minimum 60%
- 2.4. Press SEND button, send this high-end trim level and the whole page settings to all the other sensors.

3. How to use Scenes function?

- 3.1. Press "Scenes" button, choose one of scene (SC-01, SC-02, SC-03, SC-04)
- 3.2. Press "Start" to set parameters (detection area, holdtime, daylight threshold, standby dimming level and standby period),
- 3.3. Press "MEMORY" to save parameters
- 3.4. Press "APPLY" to send parameters. You will see light OFF then ON for once as command's received.

4. How to quickly set multiple sensors to perform the same parameters?

Solution A:

At the first sensor - press "AUTO" to enter the SENSOR mode, press "START" to set parameters (detection area, holdtime, daylight threshold, standby dimming level and standby period), press "MEMORY" to save parameters, and press "APPLY" to send parameters. You will see light OFF then ON for once as command's received.

At the other sensors - press "AUTO" to enter the SENSOR mode and press "APPLY" to send parameters. You will see light OFF-ON for once as command's received.

Solution B:

Use the SCENE function if you have preset parameters - Press "AUTO" to enter the SENSOR mode, choose from the scene options (1, 2, 3, 4), and press "SEND". You will see light OFF-ON for once as command's received.

5. In SENSOR mode, how to turn off the sensor function (disable sensor function)?

-When the light is ON, press "ON/OFF" to turn OFF the light, and press "ON/OFF" again to turn on the light, don't press any other buttons.

-When the light is OFF, press "ON/OFF" to turn on the light, don't press any other buttons.

6. How to perform SENSOR mode when sensors are already in ON/OFF mode?

Solution A:

Press "AUTO" to enter the SENSOR mode and perform the last parameter setting. The corresponding parameters will be displayed on the LCD screen.

Solution B:

Press "RESET" to enter the SENSOR mode and perform factory setting parameters. The corresponding parameters will be displayed on the LCD screen.

7. How to enter and exit TEST mode?

Enter: In any mode, after pressing TEST button, the sensor enters the TEST mode, means keeping the light ON for 2S, turns off the light, lights ON again after detecting motion and keeps 2S then OFF; keep running this way.

Exit: Press the "ON/OFF" button to turn off the light and exit the TEST mode directly;

Or press the "RESET" button to exit the TEST mode, enter the SENSOR mode and performing factory Settings;

Or press the "AUTO" button to exit the TEST mode, enter the SENSOR mode and performing the last parameter setting.

Trouble Shooting

1. This remote control uses infrared signal transmission, please stay pointing at the target sensor and keep controlling distance within 18M while using it.

2. The infrared signal of the remote control might get affected by the strong natural light brightness, and the remote control may not be able to use or the distance become closer; please try to shorten the distance to the sensor or use it when natural brightness fades.

3. After the LCD screen gets dark, it needs to be woken up again (any button can) before use.

4. The remote control is powered by 2pcs AAA batteries. When the words displayed on the LCD screen is incomplete or unclear, it indicates the battery may be dead, which will affect the remote performance. Please replace the battery.