



Description

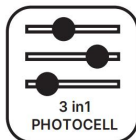
NETWORK's new LED adjustable wall packs are your first choice for wall-mounted lighting projects. Adjustable 0 to 90 degrees beam angles meet different needs. 3 IN 1 switch is selectable for CCT, wattage, and photocell ON/OFF control. D2D photocell can automatically turn off at sunrise or during the day, and automatically light up at sunset or night. It is a highly efficient lighting solution that provides long-lasting and energy-saving.

Application

- Alleys
- Pathways
- Landscape Lighting
- Outdoor Commercial
- Outdoor Residential

Certificate

- UL
- DLC



Key Features

- High efficacy up to 150 lm/W.
- 3CCT(4000/5000/5700K) and 4 Wattages Selectable offer SKU reduction.
- AC120-277V & AC120-347V for options.
- Adjustable beam angle from 0 to 90 degrees, suitable for illuminating specific areas.
- Professional optical design meets the DLC full cut-off wall pack standard.
- ADC12 Aluminum die-casting housing provides excellent heat dissipation.
- Automated Dusk to Dawn photocell functionality.
- Microwave motion sensor and emergency driver available.
- Waterproof rated IP65.

Adjustable Beam Angle 0-90 degrees

Die-cast aluminum housing

Durable housing provides good heat dissipation.

Optical polycarbonate lens

DLC Standard Full cut-off wall pack.



Field-adjustable CCT

3CCT Selectable: 3000K/4000K/5000K.

Photocell ON/OFF

Field-adjustable wattage

4 Wattage selectable.

Built-in photocell

Adjustable beam angle from 0 to 90 degrees, suitable for illuminating specific areas.



0 degree



30 degree



60 degree



90 degree

Performance Summary

Model NO. #	Size	Watts	3 CCT	LPW	Lumens(±10%)	Voltage	DIM	CRI	Beam Angle
SU-WP-120W-40/50/57K-G5	10"	60/90/100/120W Selectable	3CCT Selectable 4000K 5000K 5700K	150lm/W	18000LM@120W	AC120-277V	0-10V driver	>80	Type III

Remarks: 1. **All above efficacy and lumens are subject to CRI>80 @4000K, please check IES files for accurate data.**

2. SU-WP-120W-40/50/57K-G5, xC: Use any character to represent the shell color. The default null value is brown, black is represented by BL, and white by WH, GX for commercial, can be any two characters or blank.

3. CCT & Power Selectable models ship preset at the highest CCT and the highest wattage. Factory default settings for Photocell is ON.

Performance

- LED Type: SMD2835
- Frequency: 50/60HZ
- Power Factor: ≥0.90
- THD: <20%
- IP Rating: IP65
- Life Time: L70@50,000Hrs
- Operating Temp.: -40°F to 122°F (-40°C to +50°C)
- Surge Protection: L/N 6KV, L/N-P 6KV

Construction

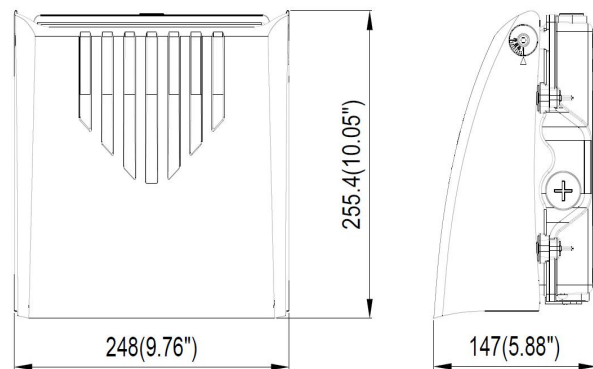
- Lens: Polycarbonate
- Housing: Die-cast aluminum
- Finish: Bronze, Custom finishes available

Mounting

- Wall Mount
- Four 1/2" knockouts for convenient installation

Product Dimension

(unit: mm & inch)



10"

Packing Info.

Product Size(inch & mm)	Net Weight/PC	Gross Weight/CTN	Carton Size(mm)	Q'ty/CTN (PCS)	20GP (PCS)	40HQ (PCS)
10" 9.76"*5.88"*10.05" 248.0*147.0*255.4 mm	2.64	3.2	11.14"*6.93"*10.71" 283*176*272mm	1	1920	4704