



Description

NETWORK's LED canopy lights are versatile and energy saving fixtures, which are ideal for parking garages, entryways, gas stations, outdoor aisles and many other

commercial applications. It comes with color and wattage selectable, allowing you to customize the LED light output to best fit your project. Energy and maintenance savings up to 86% versus HID solutions, and can be easily surface mounted.

Application

- Covered Walkway
- Garages
- Warehouses
- Gas station
- Petroleum & Convenience Store

Certificate

- UL
- DLC



Key Features

- Field-adjustable Wattages to reduce SKU's.
- Microwave motion sensor available.
- High efficiency up to 140LM/W.
- Perfect LED canopy lights to replace HID fixtures.
- Rugged die cast aluminum housing provides excellent heat dissipation.
- Wet location rated IP65.



Performance Summary

Model NO. #	Size (mm)	Watts	CCT	LPW	Lumens(±10%)	Voltage	CRI	Beam Angle
SU-CP-180W-50K-G3	381*381*83mm	180W or 120W/150W/180W Wattage Selected	5000K	140LM/W	25200LM @180W	AC120-277V	>80	120°

Remarks: All above efficacy and lumens are subject to white finish @5000K.

CCT & Power Selectable models ship preset at the highest CCT and the highest wattage.
X denote control type, YY denote color temperature.

Performance

- LED Type: SMD2835
- Frequency: 50/60Hz
- Power Factor: ≥ 0.90
- IP Rating: IP65
- Life Time >50,000Hrs
- Operating Temp.: -40°F to 113°F (-40°C to $+45^{\circ}\text{C}$)
- Surge Protection: L/ N 6KV, L/ N-P 6KV
- THD: <20%

Construction

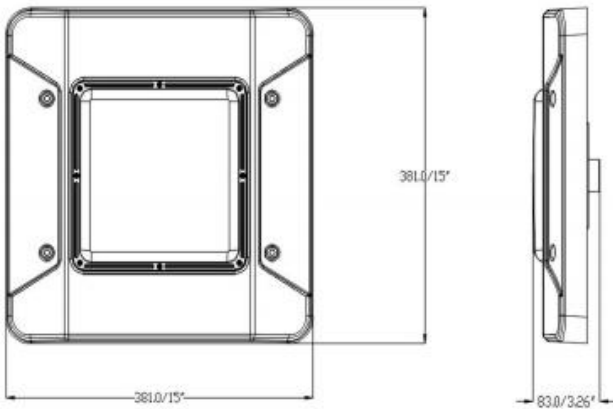
- Lens: Polycarbonate
- Housing: ADC12 Aluminum Die Casting
- Finish: White

Mounting

- Surface Mount
- 3/4" Pipe Mount

Product Dimension

(unit: mm & inch)



Packing Info.

Size	Product Weight (KG)		Package Weight (KG)	Carton Size (MM)	QTY/CTN (PCS)	20GP (PCS)	40GP (PCS)	40HQ (PCS)
	N.W./ PC	G.W./CTN						
381*381*83mm	4.5	5.5	455*455*130mm	1	1040	2006	2526	