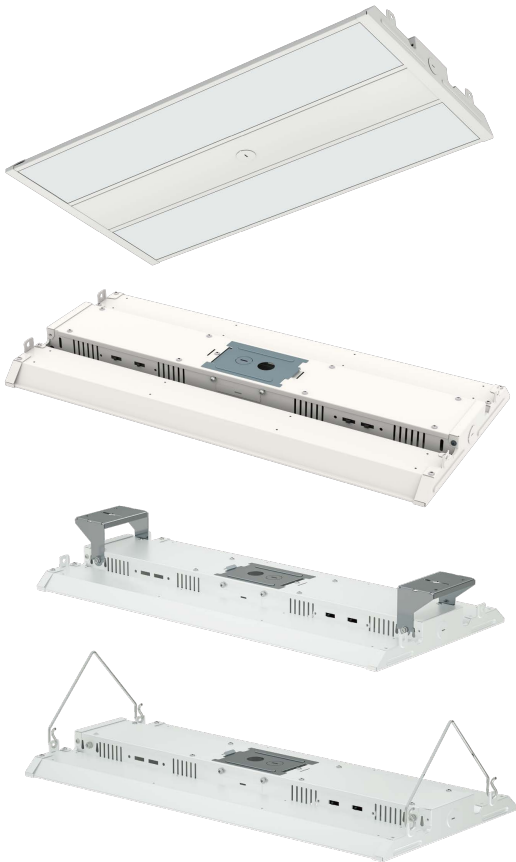


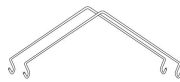


Product Features

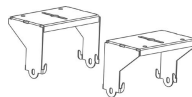
- Three LED Modules, Center Fixed Luminous Panel.
- LED Modules Angle Adjustable, Rotate up to 180° .
- Housing: durable 22 gauge steel, Two luminous surface.
- Finish: powder coated, post-painted white
- Driver: 120-277V, 0-10V Dimming.
- LED: Long-life, high-efficacy, discrete, surface-mount LED
- Controls: Motion & PIR sensor optional
- Backup Emergency: Emergency Battery Option
- Mounting: Chain Mount (included). Pendant & surface mounting is available.
- Lifespan: L70 ≥ 50,000 hours
- Operating temperature: -20°C ~ 50°C (-4°F~122°F)
- Certifications: ETL Listed, FCC, RoHs, DLC 5.1 Premium.
- Five-year Limited Warranty.



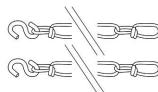
Hardware Included:



(2) V-hooks



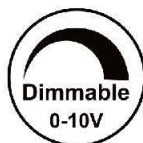
(2) Surface mount kits



(2) Chains (41")

Applications

High ceiling locations in commercial, industrial, retail, or warehouse settings.



Order Information

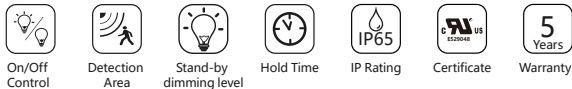
Size	Part No.	Power	Luminous Efficacy	Luminous Flux	Input Voltage	CCT
2ft	SU-LHB2FT-255W-xxK G6	100W-170W-200W-220W-255W	160 lm/W	40800 lm	120-277V	3CCT
4ft	SU-LHB4FT-320W-xxK G6	150W-180W-220W-250W-320W	160 lm/W	51200 lm	120-277V	3CCT

"Note: 3CCT=4000K-5000K-6500K"

Sensor Options

FEATURES

- Newest design with 5 Manual Switches, easy programming.
- 12VDC Input, 0-10V Dimming, with Daylight Harvesting and Photocell Function.
- Elegant and classic round design, with rotators for easy programming.
- Rotator & Remote control.



TECHNICAL DATA

PIR Information	
Infrared Wavelength	5-14um
Output Signal Peak	≥3500mV
PIR Sensitivity	3200V/W
Installation Height	≤12m/39.37ft
Detection Distance	3-7m/9.84-22.96ft
Detection Angle	<120° Fersnel Lens
Working Temp	-20°C~+60°C

Electrical Specifications	
Input Range	12-24VDC
Stand-by Power	<15mA
Warm-up Period	50s
Output control	Should be ON/OFF 0-10V DIM

Match Emergency Drivers	
*Work compatibly with EM driver, please make sure it follows below conditions:	
1. Switching capacity <1mA	
2. LED driver' s OFF voltage at 1mA is 0.25-0.3V	
3. Single fixture connected.	

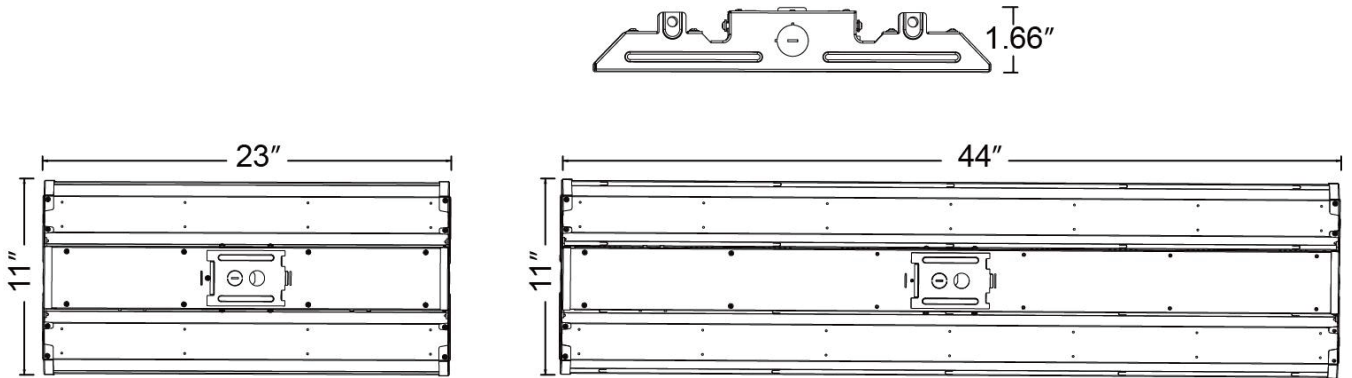
Sensor Parameter	
Control Device	Remote Control #HD06R(purchase separately) Manual Switches
Detection Area	Remote Control : 25% / 50% / 75% / 100% Rotating switch: 25% / 50% / 75% / 100%
Hold Time	Remote Control: 5s / 30s / 1min / 3min / 5min / 10min / 20min / 30min Rotating switch: 5s/1min/ 5min/10min
Daylight Threshold	Remote Control: 2lux / 10lux / 30lux / 50lux / 80lux / 120lux / 200Lux / 250Lux / 300lux / 350Lux / 400Lux / Disable Rotating switch: 50Lux / 200Lux / 400Lux / Disable
Standby Period	Remote Control: 0s / 10s / 30s / 1min / 5min / 10min / 30min / 60min / +∞ Rotating switch: 0s / 10min / 30min / +∞
Standby Dimming Level	Remote Control: 10% / 20% / 30% / 50% Rotating switch: 10% / 20% / 30% / 50%
Automatically Dimming (Daylight Harvesting)	1. Stay in SENSOR MODE 2. STANDBY PERIOD as 0S 3. DAYLIGHT as any of 50Lux / 80Lux / 120Lux / 200Lux / 250Lux / 300Lux / 350Lux / 400Lux 4. Press DAYLIGHT HARVESTING button to ON
Automatically ON/OFF (Photocell)	1. STANDBY DIM LEVEL as any of 10% 20% 30% 2. STANDBY PERIOD as infinite 3. DAYLIGHT as any of 30Lux / 50Lux / 80Lux / 120Lux / 200Lux / 250Lux / 300Lux / 350Lux / 400Lux

Remote control

SU-HDO6R



Dimensions



Packing / weight

Size	Outer box (L*W*H)	Qty/Ctn (pcs)	G.W/Ctn (lbs)	Container 20GP(28 m ³)	Container 40HQ(68 m ³)	Container 45HQ(78 m ³)
2ft	25.60 x 4.53 x 17.92 in 650 x 115 x 455mm	2	14.5	1820 pcs	3700 pcs	4100 pcs
4ft	46.85 x 4.53 x 17.92 in 1190 x 115 x 455mm	2	41	910 pcs	2000 pcs	2260 pcs

Warranty

This product has a warranty of period of 5 years from the date of purchase. The warranty is invalid in the case of improper use, installation, tampering or removal of the Q.C. and/or date label, usage in improper working environment or installation not according to the current edition of the National Electric Code. Should this product fail during the warranty period it will be replaced free of charge, subject to correct installation and return of the faulty unit. Manufacturer does not accept responsibility for any installation costs associated with the replacement of this product. This warranty is in addition to the statutory rights in your country of purchase. Manufacturer reserves the right to alter specifications without prior notice.

Note

- 1.The installation and maintenance must be completed by electricians or professionals.
- 2.Please cut off the power before installation and maintenance.
- 3.The thermally insulating material is not allowed to cover the fixture.
- 4.Please keep away from the corrosive substance, and keep the fixture dry and clean.
- 5.Working temperature: -4°F~104°F, storage temperature: -22°F~140°F.