



**Product Features**

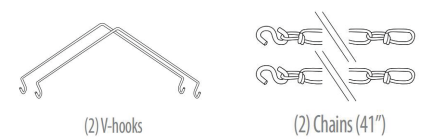
- LED Modules Angle Adjustable, Rotate up to 180° .
- Housing: durable 22 gauge steel, Two luminous surface.
- Finish: powder coated, post-painted white
- Driver: 120-277V, 0-10V Dimming.
- LED: Long-life, high-efficacy, discrete, surface-mount LED
- Controls: Motion & PIR sensor optional
- Backup Emergency: Emergency Battery Option
- Mounting: Chain Mount (included). Pendant & surface mounting is available.
- Lifespan: L70 ≥ 50,000 hours
- Operating temperature: -20°C ~ 50°C (-4°F~122°F)
- Certifications: UL Listed, FCC, RoHs, DLC 5.1 Premium.
- Five-year Limited Warranty.



**Replacement**

4 Lamp T8 32W, 4 Lamp T5HO 54W, 6 Lamp T5HO 54W,  
8 Lamp T5HO 54W, 10 Lamp T5HO 54W, 12 Lamp T5HO  
54W

**Hardware Included:**



**Applications**

High ceiling locations in commercial, industrial, retail, or warehouse settings.



## Order Information

Size	Part No.	Power	Luminous Efficacy	Luminous Flux	Input Voltage	CCT
2ft	SU-LHB2FT-255W-xxK G5	100W-130W-165W-200W-255W	160 lm/W	40800 lm	120-277V	3CCT
4ft	SU-LHB4FT-300W-xxK G5	165W-200W-225W-255W-300W	168 lm/W	50400 lm	120-277V	3CCT

"Note: 3CCT=4000K-5000K-6500K"

## Sensor Options

### FEATURES

- Newest design with 5 Manual Switches, easy programming.
- 12VDC Input, 0-10V Dimming, with Daylight Harvesting and Photocell Function.
- Elegant and classic round design, with rotators for easy programming.
- Rotator & Remote control.



On/Off Control



Detection Area



Stand-by dimming level



Hold Time



IP Rating



Certificate



Warranty



### TECHNICAL DATA

PIR Information	
Infrared Wavelength	5-14um
Output Signal Peak	≥3500mV
PIR Sensitivity	3200V/W
Installation Height	≤12m/39.37ft
Detection Distance	3-7m/9.84-22.96ft
Detection Angle	<120° Fersnel Lens
Working Temp	-20°C~+60°C

Electrical Specifications	
Input Range	12-24VDC
Stand-by Power	<15mA
Warm-up Period	50s
Output control	Should be ON/OFF 0-10V DIM

Match Emergency Drivers	
*Work compatibly with EM driver, please make sure it follows below conditions:	
1. Switching capacity	<1mA
2. LED driver' s OFF voltage at 1mA is	0.25-0.3V
3. Single fixture connected.	

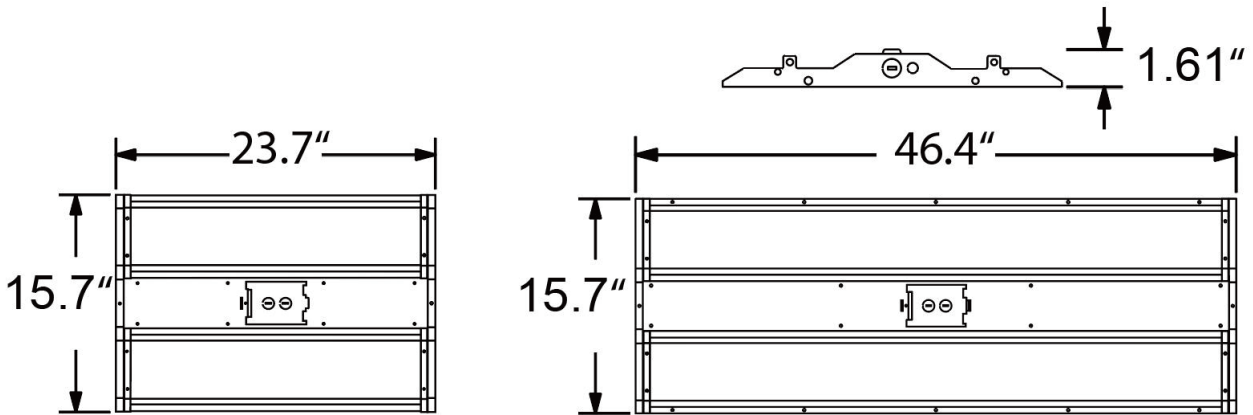
Sensor Parameter	
Control Device	Remote Control #HD06R( purchase separately) Manual Switches
Detection Area	<b>Remote Control</b> : 25% / 50% / 75% / 100% <b>Rotating switch</b> : 25% / 50% / 75% / 100%
Hold Time	<b>Remote Control</b> : 5s / 30s / 1min / 3min / 5min / 10min / 20min / 30min <b>Rotating switch</b> : 5s/1min/ 5min/10min
Daylight Threshold	<b>Remote Control</b> : 2lux / 10lux / 30lux / 50lux / 80lux / 120lux / 200Lux / 250Lux / 300lux / 350Lux / 400Lux / Disable <b>Rotating switch</b> : 50Lux / 200Lux / 400Lux / Disable
Standby Period	<b>Remote Control</b> : 0s / 10s / 30s / 1min / 5min / 10min / 30min / 60min / +∞ <b>Rotating switch</b> : 0s / 10min / 30min / +∞
Standby Dimming Level	<b>Remote Control</b> : 10% / 20% / 30% / 50% <b>Rotating switch</b> : 10% / 20% / 30% / 50%
Automatically Dimming (Daylight Harvesting)	1. Stay in SENSOR MODE 2. STANDBY PERIOD as 0S 3. DAYLIGHT as any of 50Lux / 80Lux / 120Lux / 200Lux / 250Lux / 300Lux / 350Lux / 400Lux 4. Press DAYLIGHT HARVESTING button to ON
Automatically ON/OFF (Photocell)	1. STANDBY DIM LEVEL as any of 10% 20% 30% 2. STANDBY PERIOD as infinite 3. DAYLIGHT as any of 30Lux / 50Lux / 80Lux / 120Lux / 200Lux / 250Lux / 300Lux / 350Lux / 400Lux

### Remote control

## SU-HD06R



## Dimensions



## Packing / weight

Size	Outer box (L*W*H)	Qty/Ctn (pcs)	G.W/Ctn (lbs)	Container 20GP(28 m <sup>2</sup> )	Container 40HQ(68 m <sup>2</sup> )	Container 45HQ(78 m <sup>2</sup> )
2ft	25.60 x 4.53 x 17.92 in 650 x 115 x 455mm	2	14.5	1820 pcs	3700 pcs	4100 pcs
4ft	46.85 x 4.53 x 17.92 in 1190 x 115 x 455mm	2	41	910 pcs	2000 pcs	2260 pcs

## Warranty

This product has a warranty of period of 5 years from the date of purchase. The warranty is invalid in the case of improper use, installation, tampering or removal of the Q.C. and/or date label, usage in improper working environment or installation not according to the current edition of the National Electric Code. Should this product fail during the warranty period it will be replaced free of charge, subject to correct installation and return of the faulty unit. Manufacturer does not accept responsibility for any installation costs associated with the replacement of this product. This warranty is in addition to the statutory rights in your country of purchase. Manufacturer reserves the right to alter specifications without prior notice.

## Note

- 1.The installation and maintenance must be completed by electricians or professionals.
- 2.Please cut off the power before installation and maintenance.
- 3.The thermally insulating material is not allowed to cover the fixture.
- 4.Please keep away from the corrosive substance, and keep the fixture dry and clean.
- 5.Working temperature: -4°F~104°F, storage temperature: -22°F~140°F.