



Product Features

ALL IN ONE

5 Power Tunable, 6CCT Tunable.

Construction

Housing constructed of code-gauged, cold-rolled steel.

Finish

All reflective surfaces are finished with a high-reflectance, lighting fixture white polyester powder

Installation /Mounting

Light back housing includes holes and slots for various mounting methods
Wall/Surface Mount, Chain or Pendant Mount

Expected Life

Projected life of at least 75,000 hours.

Lens

Frosted, impact-resistant acrylic.

Electrical

120-277V 50/60Hz, 0-10V Dimming, 12V DC sensor base.

Certification

ETI Listed. DLC Premium.

Warranty

5-Year Limited Warranty.



Order Information

Length	Part No.	Power	@Max Power 5000K		Input Voltage	CCT
			Efficacy	Flux		
4ft	SU-LS-4FT40W-xxK G4	20W-25W-30W-35W-40W	150 lm/W	6000 lm	120-277V	6CCT
	SU-LS-4FT60W-xxK G4	20W-30W-40W-50W-60W	167 lm/W	10020 lm	120-277V	6CCT
8ft	SU-LS-8FT100WP-xxK G4	50W-70W-80W-90W-100W	150 lm/W	15000 lm	120-277V	6CCT


"Note: 6CCT=3000K-3500K-4000K-5000K-5700K-6500K"

Specifications

		4FT	8FT
Key Parameters	Dimensions	48" x 2.93" x 3.26"	96" x 2.93" x 3.26"
	Voltage	120-277V	120-277V
Control Feature	Dimming Status	Continuous Dimming to 10% or below	
	Communication Protocol	0-10V Wired Communication Protocol	
	Integral Controls	NLC Integral Controls (Option)	
	Sensor Type	NLC Occupancy sensor, Daylight dimming (Option)	
Certifications	DLC	DLC 5.1 Premium	
	Safety	ETL	
Photo metric	CCT	1CCT / 3CCT / 6CCT	
	SDCM	≤6	
	Beam Angle	120°	
	Ra	>80	
	R9	>0	
	Duv	≤ 0.006	
Electronics	Rated Voltage	120-277 VAC / 120-347VAC 50/60Hz	
	THD	≤ 20%	
	Surge Protection	2KV	
	Power Factor	≥ 0.9	
	Flicker	Flicker Free Option	
	Constant Voltage	12V DC Options	
Lifetime	L70	≥ 50000	
	L90	≥ 36000	
	Warranty	5 Years	
Operation	Start Time	≤ 1S	
	Operating Temp	-4°F - 104°F	
	Storage Temp	-22°F - 140°F	
	Environment	Indoor	
	IP Rating	IP20	
Material	Housing/Case	Steel	
	Optical-Lens	PC Frosted	

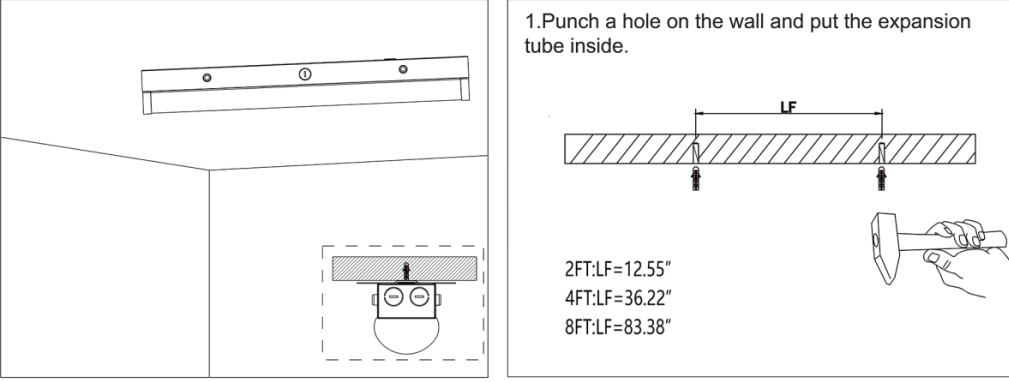
Sensor Options

Technical Data

	Integrated Microwave Sensor 
Voltage	DC 12V
Current	<30mA
HF Frequency	5.8GHz±75MHz
HF Power	0.3mW
Detection Angle	30-150° Without Glass Cover
Mounting Height	Max 15m/49ft
Detection Distance	Radius 3-6m
Working Temp	-40°C ~ +70°C
Warranty	5years
Programming	Fully compatible with remote control
Holdtime	5s±1s/30s±3s/1min±4s/3min±5s/5min±10s/10min±20s/20min±25s/30min±30s
Daylight	2Lux(0-8)/10Lux(6-18)/30Lux(20-45)/50Lux(30-70)/80Lux(60-100)/120Lux(90-155)/Disable
Standby Period	0s/10s±2s/30s±3s/1min±4s/5min±10s/10min±20s/30min±
Standby Dimming	10% (0.95-1.2V) /20%(1.8-2.2V)/30%(2.8-3.2V)/50%(4.8-5.2V)
Wiring	RED: VCC; GRAY: GND; PURPLE: DIM+
Contro	ON/OFF / 0-10V Dimmable

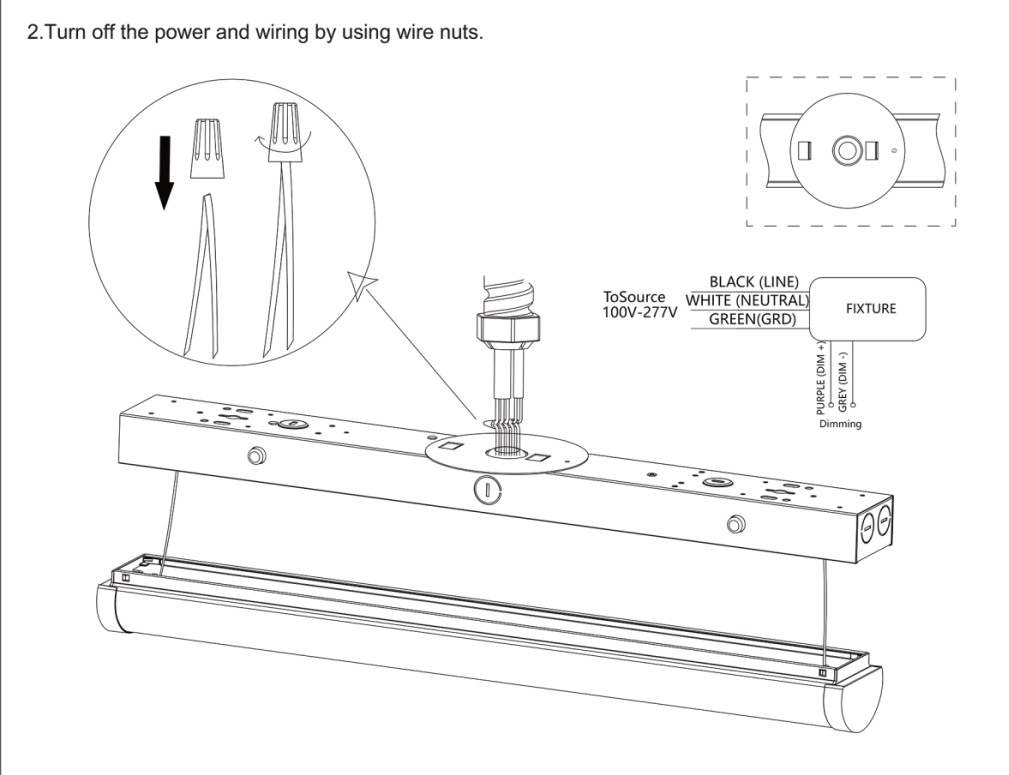
Surface Mounted Installation

1. Punch a hole on the wall and put the expansion tube inside.



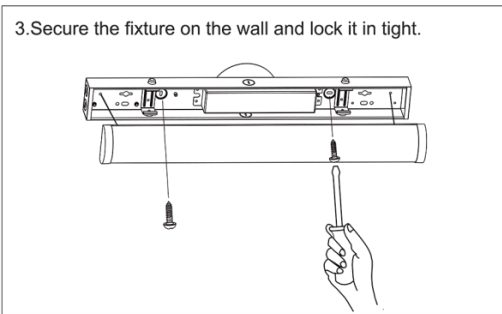
2FT:LF=12.55"
4FT:LF=36.22"
8FT:LF=83.38"

2. Turn off the power and wiring by using wire nuts.

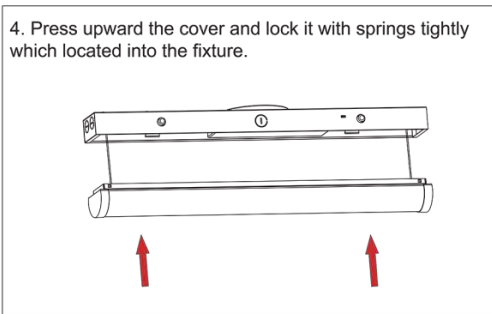


BLACK (LINE) To Source 100V-277V
WHITE (NEUTRAL)
GREEN (GRD)
PURPLE (DIM +)
GREY (DIM -)
GREY (DIM ?)
Dimming

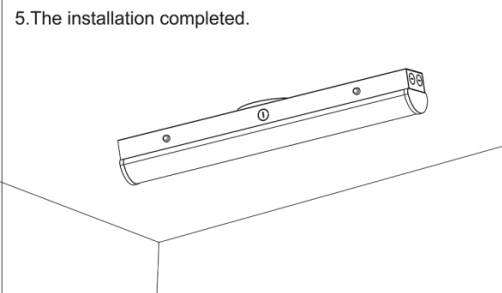
3. Secure the fixture on the wall and lock it in tight.



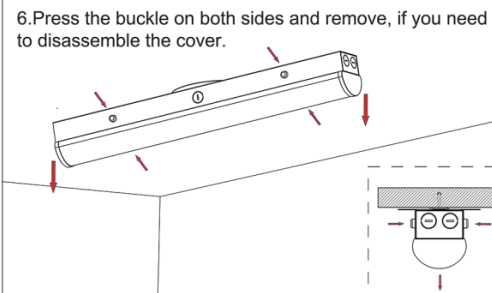
4. Press upward the cover and lock it with springs tightly which located into the fixture.



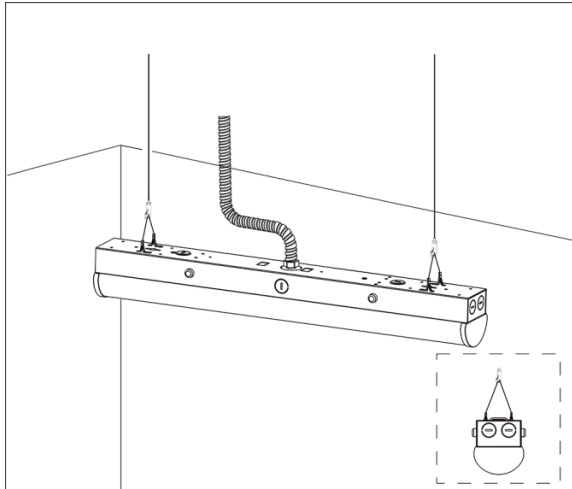
5. The installation completed.



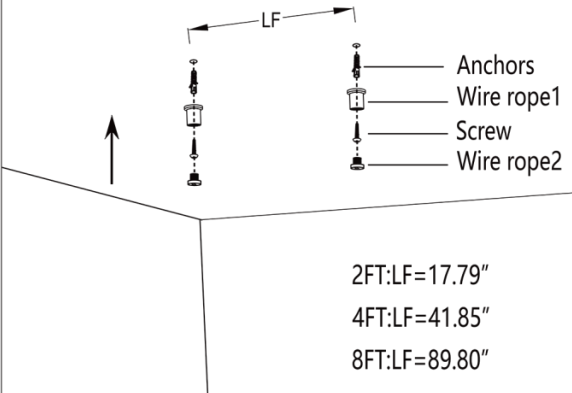
6. Press the buckle on both sides and remove, if you need to disassemble the cover.



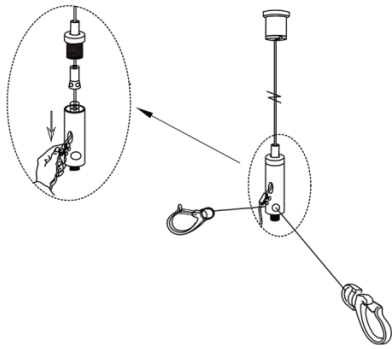
Chain Installation



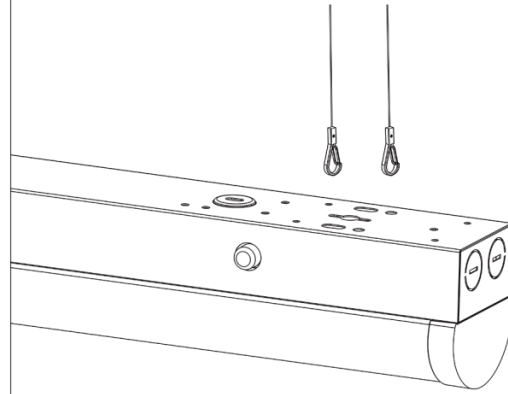
1. Fixing the hook and suspending the lamp.



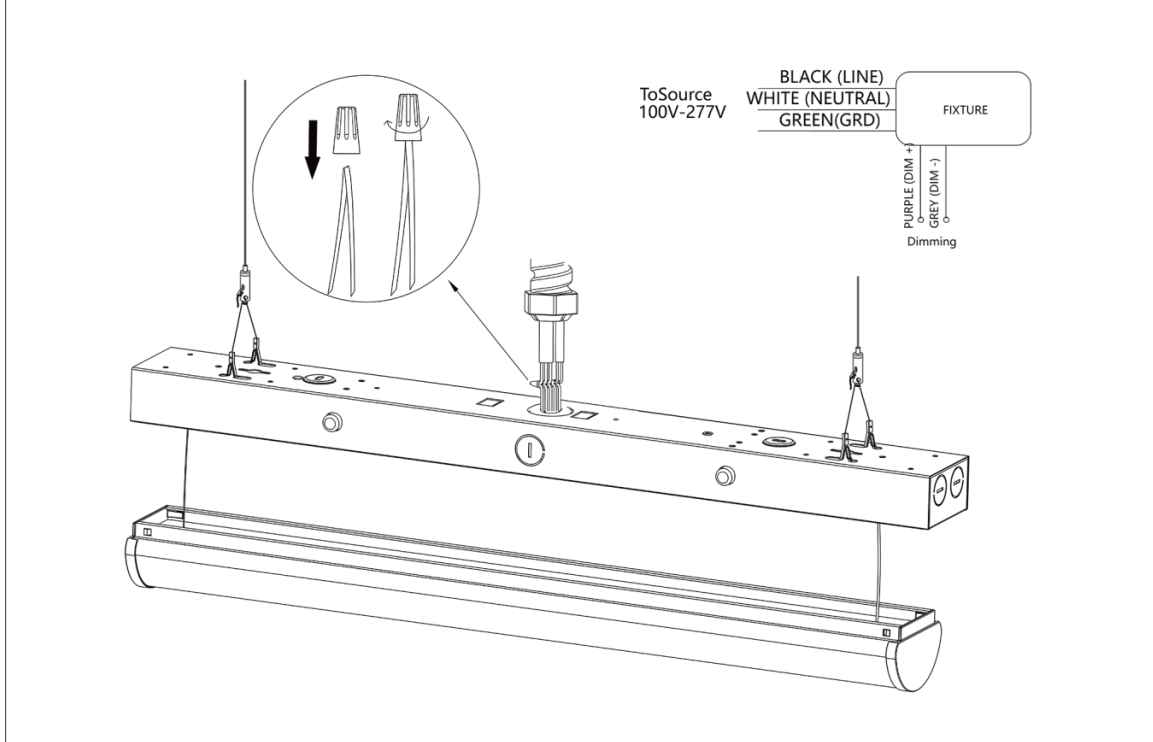
2. Adjusting the hanging rope length.



3. Adjusting the hanging rope making the LED Strip in a horizontal state.

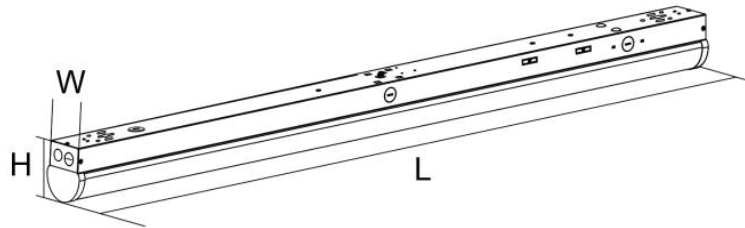


4. Turn off the power and wiring by using wire nuts.



Dimension

Item	L×W×H (inch)
4 ft.	48" x 2.93" x 3.26"
8 ft.	96" x 2.93" x 3.26"



Packing /weight

Size	Outer box (L*W*H)	Qty/Ctn (pcs)	G.W/Ctn (lbs)	Container 20GP(28 m ³)	Container 40HQ(68 m ³)	Container 45HQ(78 m ³)
4ft	49.48 x 7.48 x 11.82 in 1257*190*300 mm	6	26.5	415Cartons 2490 pcs	974Cartons 5844 pcs	1087Cartons 6522 pcs
8ft	97.44 x 7.48 x 8.26 in 2475*190*210 mm	4	32.5	311Cartons 1244 pcs	683Cartons 2732pcs	779 Cartons 3116 pcs

Note

1. The installation and maintenance must be completed by electricians or professionals.
2. Please cut off the power before installation and maintenance.
3. The thermally insulating material is not allowed to cover the fixture.
4. Please keep away from the corrosive substance, and keep the fixture dry and clean.
5. Working temperature: -4°F~104°F, storage temperature: -22°F~140°F.