



DESCRIPTION

HSE-BW1 is a versatile, Bluetooth wireless wall switch that offers seamless control over your HSE devices. It enables various functions, including ON/OFF and Daylight Harvesting quick button, Practical Scene options with different dimming/CCT setting, +/- buttons to change to higher or lower output dimming, Additionally, the HSE-BW1 can function as a remote controller, allowing you to operate your HSE ecosystem from anywhere within its wireless range, ensuring reliable and secure Bluetooth communication.

FEATURES

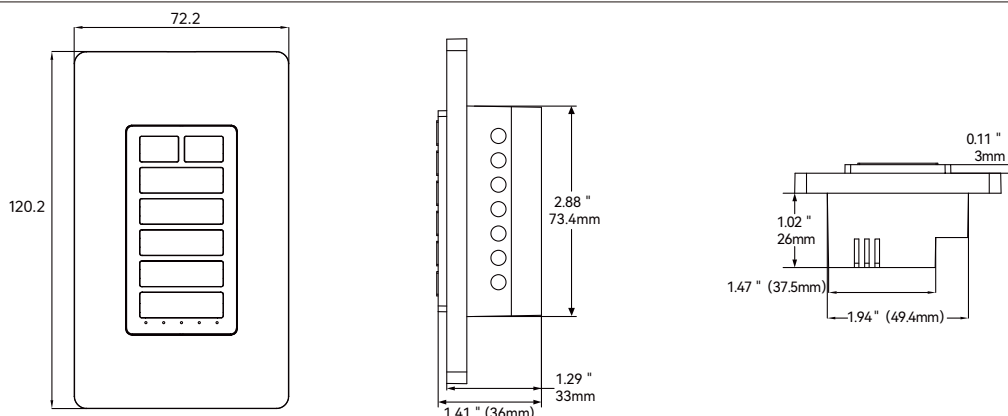
- The wall switch can trigger the sensor's "When vacant" mode.
- Center piece can be taken off as a tiny remote control.
- ON/OFF button
- Practical Scene options with different dimming/CCT setting
- +/- buttons to change to higher or lower output dimming



SPECIFICATIONS

Input Voltage	CR2032 button battery 1pcs 3V
Bluetooth Transmit	25M 170.60ft
Radio Frequency	2.4GHz (2402~2480MHz)
Bluetooth Version	5.2
Housing Material	UL 94-V0
Indicator Lights	Indicates output percentage
Working Frequency	2.4GHz ISM Band
Transmitting Power	9dBm (Typical Value)
Working Temp	-20 °C ~ +60 °C
Relative Humidity	< 90%
Compliance	RoHS

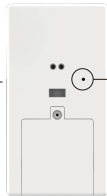
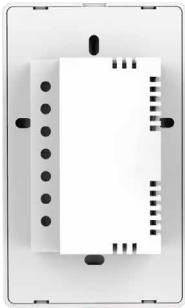
DIMENSIONS



BUTTON FUNCTION



- To turn on or off the lights
- When Vacant
- Focus (Brightness output as 100%, CCT tuning as 5000K)
- Neutral (Brightness output as 80%, CCT tuning as 4000K)
- Calm (Brightness output as 60%, CCT tuning as 3000K)
- Dim up; "detect mode" options as 60%, 70%, 80%, 90% and 100%; "on/of mode" options as 20%, 40%, 60%, 80% and 100%.
- Dim down; "detect mode" options as 60%, 70%, 80%, 90% and 100%; "on/of mode" options as 20%, 40%, 60%, 80% and 100%.
- Indicator light



Reset:Bluetooth network - setting reset button: Long - press for 2 seconds or more, and all indicator lights will flash (quick - flash for 3 seconds).
Vertically insert the card-removal-pin and slightly push it to reset this wall-switch and make it available again.

APP DOWNLOAD

