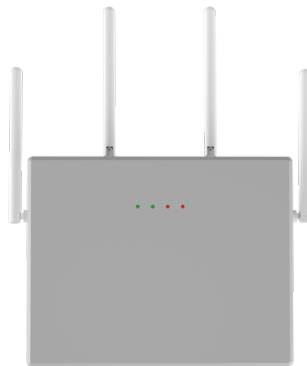


High - performance Intelligent Gateway Solution



Driven by Core Technologies

With high - performance ARM926EJ - S processor , providing the device with powerful computing capabilities and a reliable operating environment.

Multi - protocol Support

-Wi - Fi: Supports both 2.4 GHz and 5 GHz dual - bands, fully compliant with the IEEE 802 standard, ensuring high - speed and stable wireless network connections.

-Bluetooth: Operates in the 2.4 GHz band, integrates PA (Power Amplifier), significantly enhancing the control distance of Bluetooth connections. It supports BLE technology, enabling flexible and intelligent device interconnection.

-Ethernet: Provides a reliable wired connection option to meet the needs of diverse scenarios.

Localized Intelligent Scenario Support

It has a powerful built - in local storage function. Scenario storage and management can be achieved without relying on the network, providing higher security and reliability.

Powerful Connectivity

Integrates a high - gain antenna design, optimizing signal coverage and transmission stability, suitable for various complex application environments.

Typical Application Scenarios

Smart Home Control Center , Industrial IoT Gateway , Intelligent Building Automation System.



SPECIFICATIONS

Hardware System

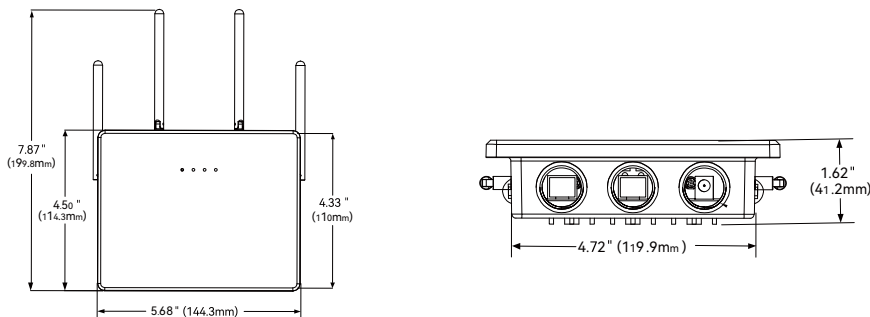
CPU	Arm@ ARM926ET-S Core
Memory	128MB DDR2
Flash	1GB

Ethernet Interface

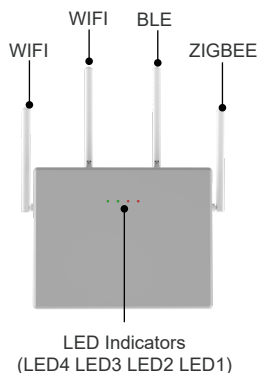
Port	2 x RT45
Physical Layer	10/100/1000 Base-T(IEEE 802.3)
Data Rate	10/100/1000 Mbps(Auto-Sensing)
Interface	Auto MDI/MDIX

Power Supply and onsuption	
Power Input	DC 12V
Power Consumption	≈3.6W (Max)
Enviromental	
Operating Temperature	-40°C~+70°C
Storage Temperature	-40°C~+85°C
Ethernet Isolation	2kV RMS
Relative Humi dity	0%~95%
Bluetooth	
Antemna	1xInternal Antenna
Frequency Band	2402MHz~2480MHz
Sensitivity	-97dBm
Output Power	10dBm
Protoco1	BT5.4
Number of Controllable Devices	500pcs.
Control Distance	100 m/328 ft
WiFi	
Antenna	2*50Ω N-Female External Connectors
Frequency Band	2.4GHz Band CH1~ CH13/2400 -2483.5MHz 5GHz Band CH36~CH48/5150-5250MHz CH52~CH64/5250-5350MHz CH100~CH144/5470-5725MHz CH149~CH165/5725-5850MHz
Sensitivity	-85dBm
Management	17dBm
Protocol	IEEE 802.11b/g/n/a/ac/ax

DIMENSIONS



PRODUCT STRUCTURE



LED Indicators

LED1 Function Normal

BLE: Steady on
RES: NG (Flashing)

LED2 LAN Signal

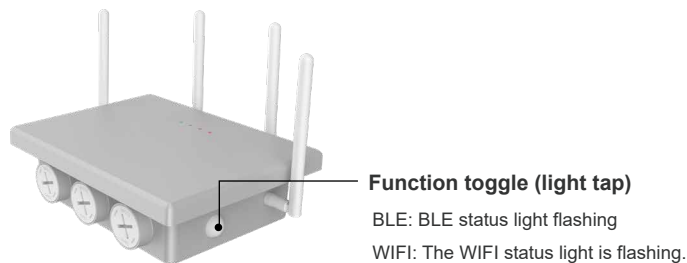
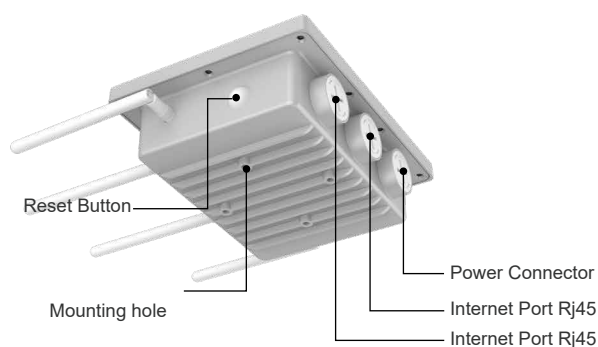
None: Not connected / Cannot be inserted
Red: Fault (Flashing)
Blue: OK (Solid On)

LED3 BLE Status

Red: Waiting for network configuration (Flashing)
Blue: Network configured (Solid On)

LED4 WIFI

Red: Waiting for network configuration (Flashing)
Blue: Network configured (Solid On)



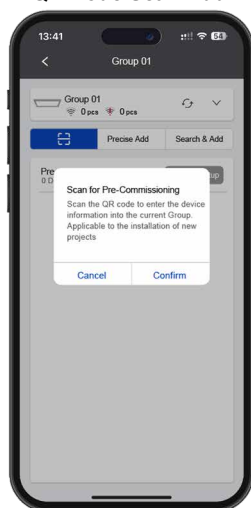
Instructions

Add Devices



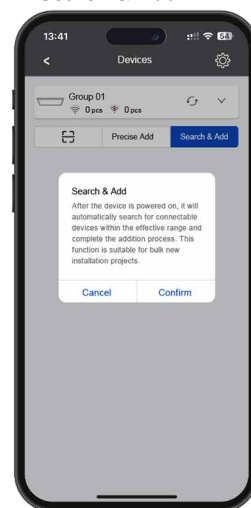
1. Switch to the group interface settings via the bottom navigation bar "Groups".
2. Press "Add Devices" to enter the device addition interface.

QR Code Scan Add



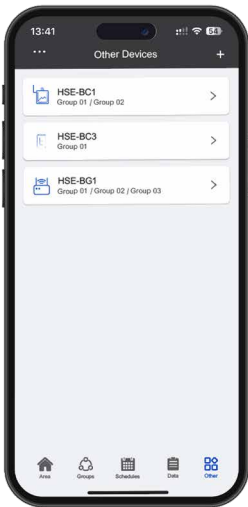
1. Press "Confirm" icon to pop up the operation instructions for this function.
2. Press "Confirm" to enter the QR code scanning interface, and the device information can be recorded.
3. Devices added via QR code scan auto-appear in the "Pre-Commissioning List".
4. Power on the device, press "Network Setup" to connect added devices to the network.

Search & Add



1. Power on the device, press "Search & Add" to pop up the function's operation instructions.
2. Press "Confirm" to automatically search for and add connectable devices within range.

Gateway Control

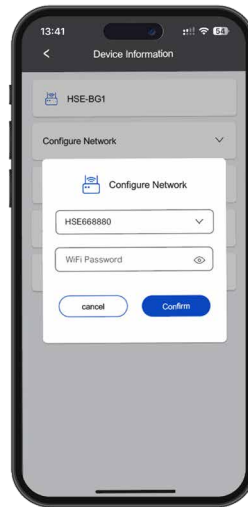


1. Switch to the Other Control Devices interface via the bottom navigation bar "Other".

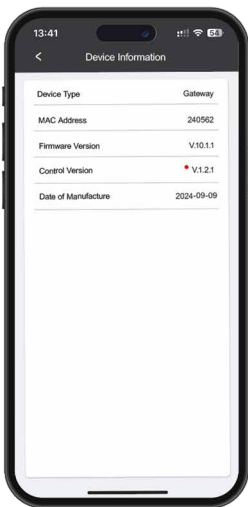
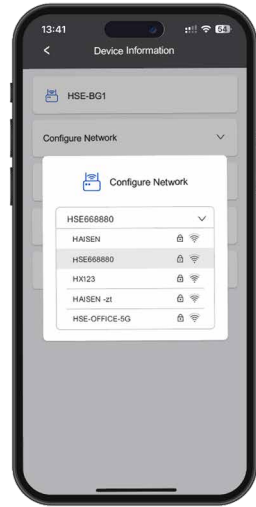
2. Select the gateway device.



3. Rename the device, configure the network, perform device OTA updates, associate groups, or delete the device for the gateway device via this interface.



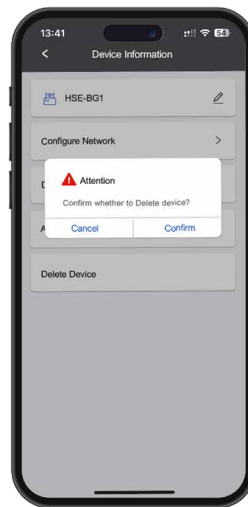
4. Press "Configure Network" to open the network configuration interface: select/enter the WiFi name, enter the WiFi password, and press "Confirm" to complete network configuration.



Device Information: Perform OTA updates for firmware/control versions, and view detailed information such as device operation logs and occupancy events.



Add to Group: Associate the device with different groups.



Press "Delete Device" to pop up a confirmation window; confirm to remove the device, which will automatically revert to the unconfigured network state.

APP DOWNLOAD

