



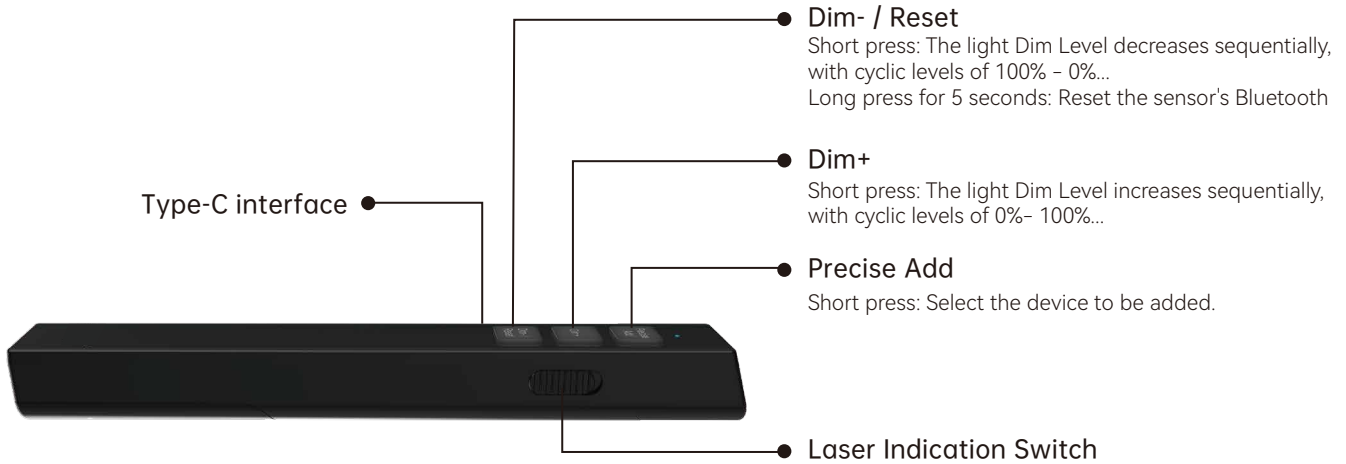
DESCRIPTION

This remote control is used to cooperate with the APP to achieve laser - precise network matching for device addition, helping users to conveniently complete the device networking operation. It is suitable for scenarios where there is a need for device addition and network pairing. It can accurately incorporate devices into the corresponding groups to realize intelligent control.

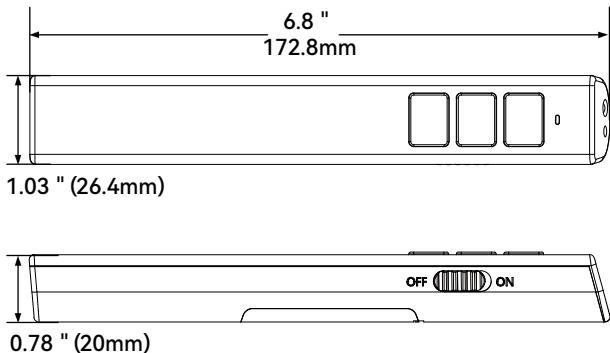
Electrical Parameters

- Battery specification: AA battery
- Emission Angle: < 30 degree
- Standby Current: < 1.2uA
- Working Current: < 5mA
- Peak Current: < 30mA
- Operation Distance Max. 15M/49ft (3V)

Button Instructions



DIMENSION



APP DOWNLOAD

