

Description

The product features an ultra-thin design, achieving perfect seamless fitting with the ceiling, saving space and offering an aesthetically pleasing appearance. Its body is cast using die-casting process, ensuring excellent heat dissipation. It has 5 color temperature adjustment functions, suitable for various scenarios.

Wet-location rated, ideal for bathrooms, laundry, porches and garage work rooms.



6"



Based On Sample Setting, actual Lumens May Vary.

Model#	Size	Wattage	5CCT	Lumens
SU-DN6INBL-12W5C-G1	6inch	12W	2700K	820lm
			3000K	865lm
			3500K	920lm
			4000K	930lm
			5000K	880lm

Technical Specification

Voltage	120V
Power Frequency	60Hz
Power Factor	>0.9
5CCT	2700K 3000K 3500K 4000K 5000K
CRI	90
Beam Angle	120°
Material	AL+PS
Color	White / Black
Lifespan	≥50,000hours
Operating Temp	(-4°F~ 113°F) -20~45°C
Dimmable	Triac Dimming
Rating	Suitable for Wet Locations
Warranty	5 year limited

FEATURES

Edge-lit technology, with no glare or dark spots.

Continuous dimming from 100% to 10% with many Triac Dimmers.

Instant on.

Installation

No existing recessed housing or junction box required.

Suitable for most new constructions.

Install J-Box in ceiling beam, and insert light right into drywall opening.

Dimming

Compatible with most triac dimmers to give user a smooth 100%-10% dimming to choose the desired brightness.

Please check the recommended dimmer list in next page.

Electrical

This fixture is built with the highest quality 120V drivers, ensuring energy efficiency.

Listing



ETL Listed. Energy Star. Title24. FCC.

Catalog Number : Project Name : Note : Date : Type :

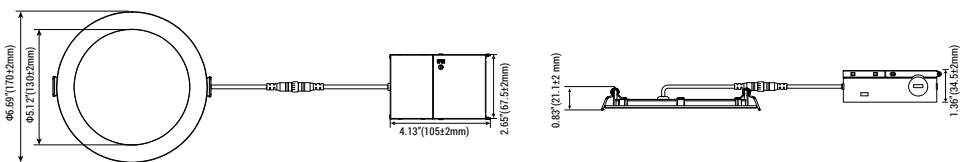
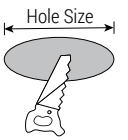
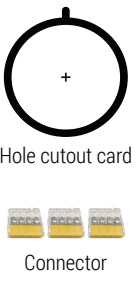
Selectable CCT



Products view



Size & Dimension & Hole Size

Size	Dimension	Hole Size	Accessories
6inch		 <p>Ø6 19/64" (160mm)</p>	 <p>Hole cutout card</p> <p>Connector</p>

Recommended Dimmer

LUTRON				LEVITON	
TG-600PR-WH	TGCL-153PH-LA	SCL-153PH-WH	PD-6WCL	6672	DSL06
S-600PR-WH	SLV-600P-AL	GT-600P	MSCL-OP153M	6674	IPL06
CTCL-153PDH-WH	DV-600PR-WH	DVCL-153P	MACL-153M//MA-R		RNL06