

Honeycomb lamp

APPLICATION

Car wash, car beauty, auto repair, garage, film, workstation

Product Features

- ◎The material of the lamp body adopts a semi aluminum and semi plastic process, which results in higher structural strength, better heat dissipation performance, and longer service life;
- ◎The product has no flicker and does not harm the eyes;
- ◎The product can achieve different shapes through different connectors, making it convenient for users to DIY;
- ◎Easy installation, quick insertion;



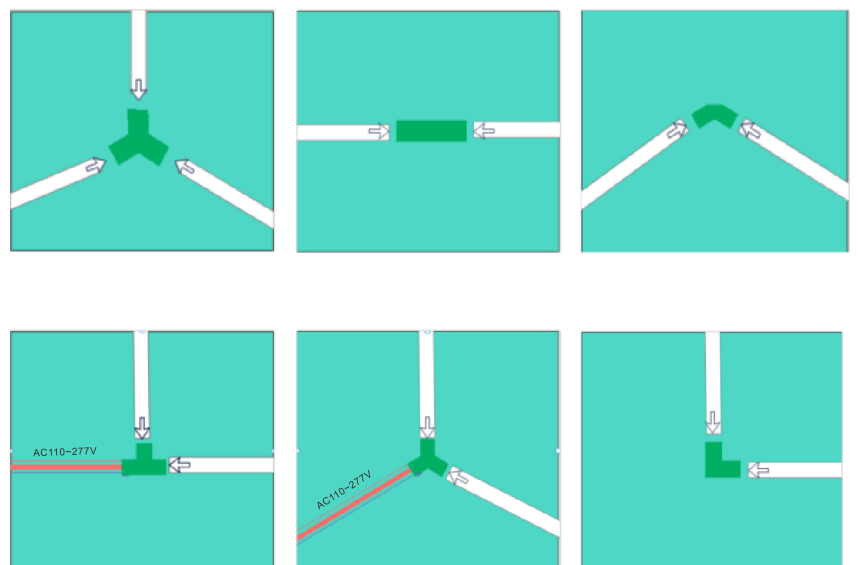
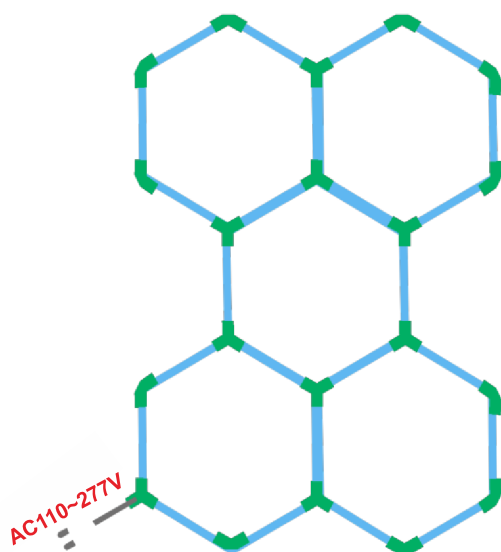
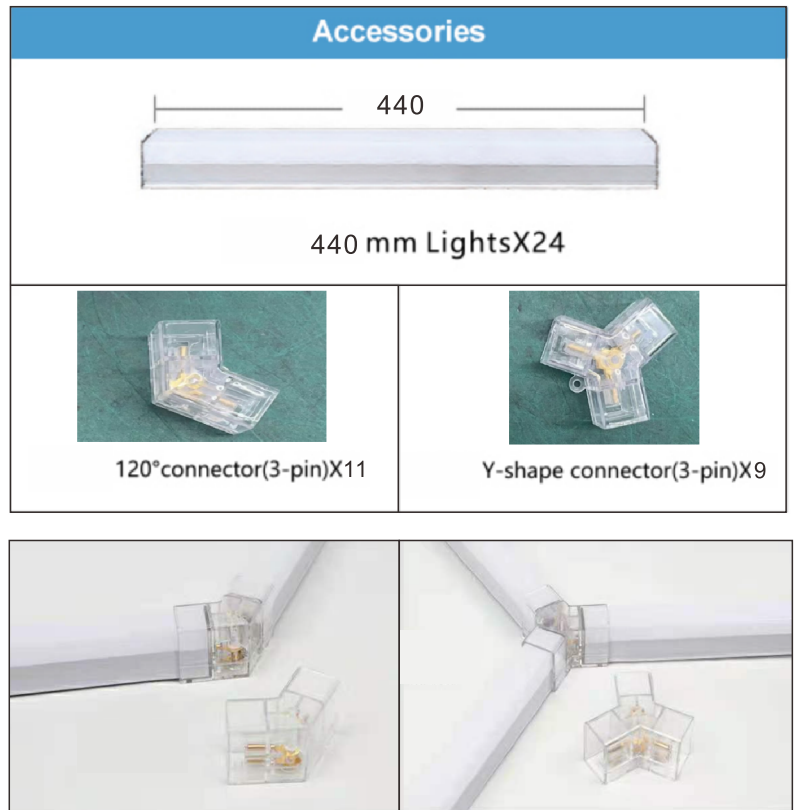
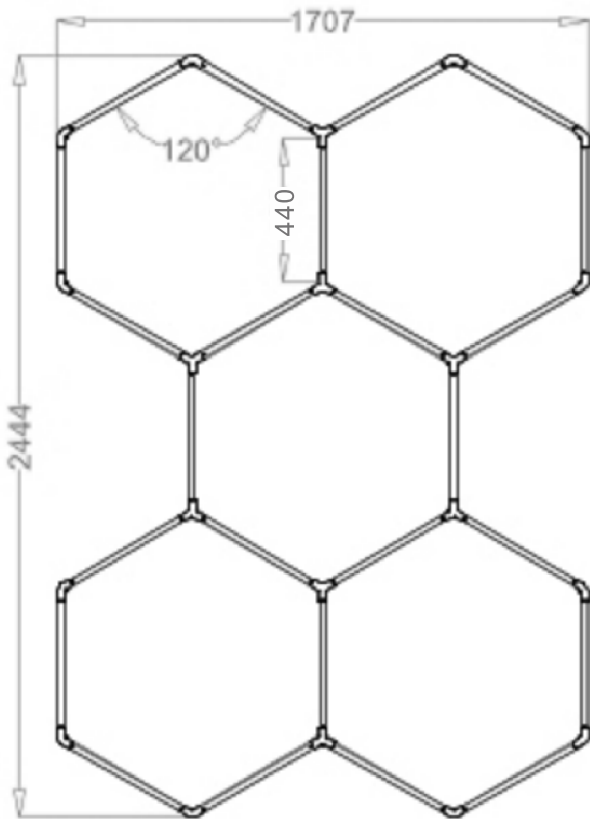
PRODUCT DATASHEET

5 Holes Honeycomb lamp series

AL+PC | IP20 | ETL | AC100-277V |

Model No.	Input voltage	Power	LED	Color	Beam Angle	LM/W
SU-HC5-43WRGBW-G1	100-277V	43W	SMD2835/3V	RGB	120°	110~120lm/w

Assembly diagram




WARNING

1. Switch off before installation.
2. Switch on only after complete installation and examination of the circuit.
3. Professional electrician for installation and maintenance only.

PACKING INFORMATION

RGB 5 Holes Honeycomb lamp series

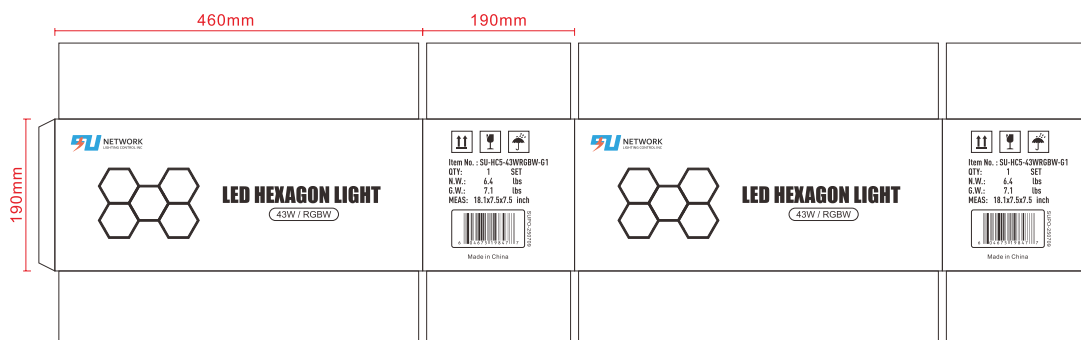
NO.	Name	Specifications	Quantity	Spare
1	Light tube	length 440mm X 	19 pcs	
		440mm X	5 pcs	
2	Connectors	2 way	120V	11 pcs
		3 way	120°Y	9 pcs



Installation considerations:

Please check the quantity and completeness of the lamp tubes, fittings and accessories according to the packing list. Install the main body of the jointing lamp according to the diagram, and check whether the joint is plugged in place. Use the mounting rack to lift the rack before fixing the lamp. Must use the standard municipal electricity AC 110V-AC277V voltage supply. It is forbidden to install lamps and lanterns with live electricity, which may damage lamps and lanterns or injure people with electricity leakage.

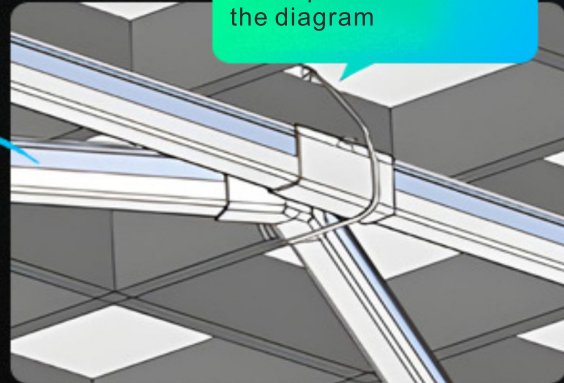
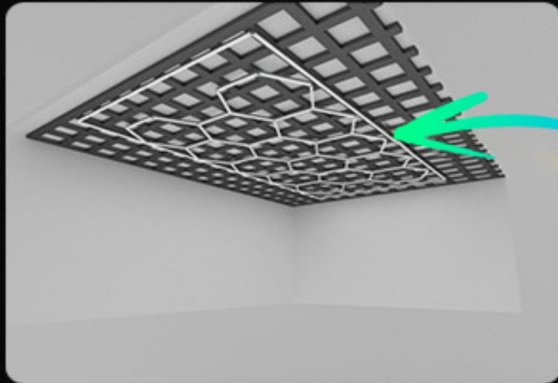
Package



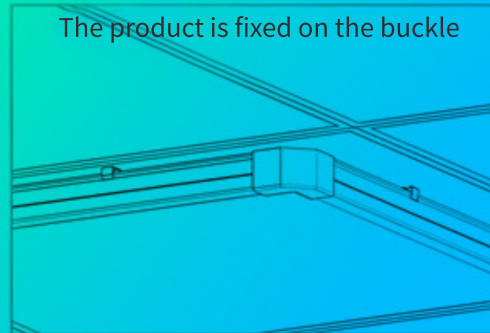
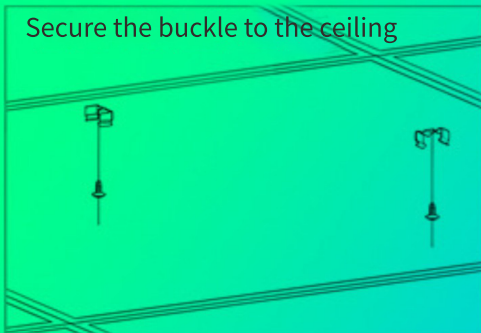
Item No.	Meas	QTY	N.W.	G.W.
SU-HC5-43WRGBW-G1	18.1x7.5x7.5inch	1 SET	6.4 lbs	7.1 lbs

INSTALLATION INSTRUCTIONS

1. Install with zip ties to grid and square hanger type workstations.



2. Install iron buckles onto the ceiling to fix the screw station.



3. Fix the buckle on the ceiling with self tapping screws.



Step 1: Fix the buckle with screws.



Step 2: Press the lamp tube into the buckle to fix it.

