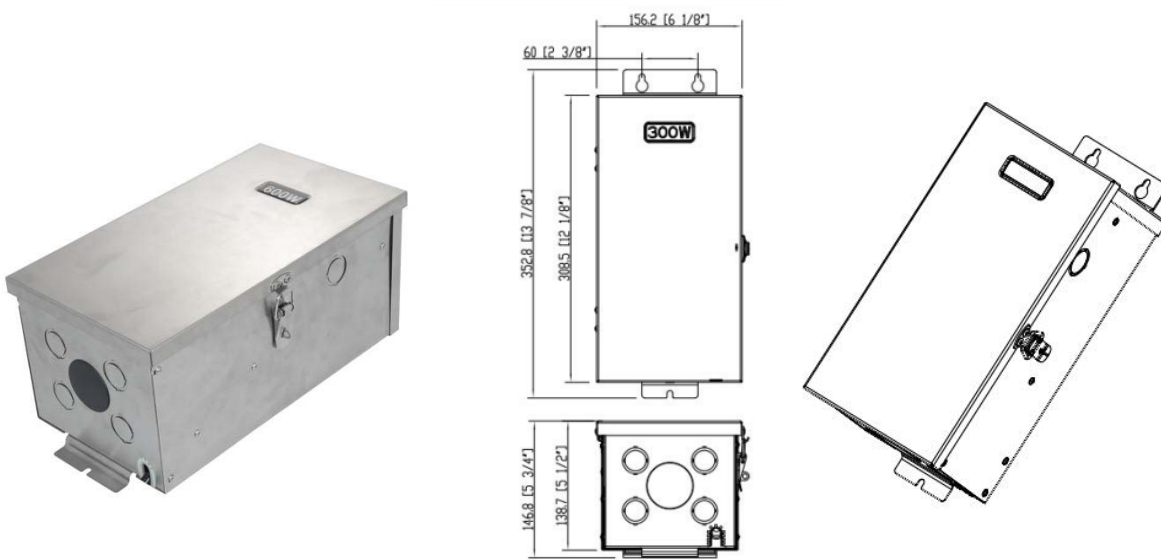


### 600W LOW VOLTAGE MULTI-TAP TRANSFORMER



#### Description

600W low voltage multi-tap transformer is high performance and energy savings system for landscape lighting projects; it's designed using heavy duty 304 stainless steel case, durable material for max rust resistance; Overload/short circuit protection; With high quality toroidal cores to provide a stable source of current with very low energy consumption.

#### Features

- 600W capacity with four voltage taps 12V and 15V to compensate for voltage loss.
- High-performance toroidal core runs cooler, reliable generate less noise
- Heavy duty 304 stainless steel housing and durable components for corrosion resistant
- Control device receptacles for optional timers and photocells
- A built in circuit breaker to help protect against electrical short circuits
- Colored wire markers & installation manual

#### Specifications

POWER CAPACITY	600W
INPUT VOLTAGE	120Vac, 60Hz 6.4A
OUTPUT VOLTAGE	12Vac,15Vac
COM PORT	2
TYPE	Toroidal core
HOUSING	Stainless Steel 304
FINISH	Silver