

Catalog Number: _____ Project Name: _____ Note: _____ Date: _____ Type: _____

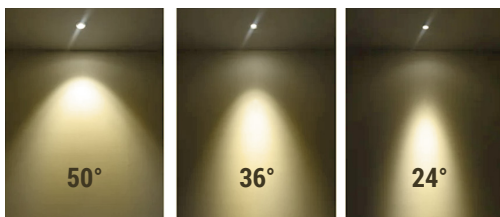
DESCRIPTION



The light engine is designed to be installed as a retrofit. Frames are optional to accommodate ceiling construction. Built-in COB chip, good color display and high brightness. With adjustable colors, and narrow beam angles of 24°, 36°, 50° to highlight architectural or artistic elements in your home. Ideal for use in retail, restaurants, residential, and office spaces to accentuate the space and provide tactical or ambience lighting from a minimalistic aperture.



NARROW LIGHT ANGLE OPTIONAL



FEATURES

- Professional optical lens, uniform light.
- Powder coated surface treatment is durable and not easy to fall off.
- Easy Installation, designed for quick and straightforward mounting, making it accessible for both professionals and DIY projects.

INSTALLATION

Suitable for most new constructions.
 Install J-Box in ceiling beam, and insert light right into drywall opening.

DIMMING

Compatible with most triac dimmers to give user a smooth 100%-10% dimming to choose the desired brightness. Please check the recommended dimmer list in next page.

ELECTRICAL

This fixture is built with the highest quality 120V drivers, ensuring energy efficiency.

ENERGY SAVINGS

80% more energy savings than halogen lamps.

TECHNICAL SPECIFICATION

VOLTAGE	120V
POWER FREQUENCY	60Hz
POWER FACTOR	>0.9
CCT	2700K 3000K 3500K 4000K 5000K
CRI	90
BEAM ANGLE	24° / 36° / 50°
MATERIAL	AL+lens
COLOR	Black+White
SHAPE	Round / Square
LIFESPAN	≥50,000hours
OPERATING TEMP	(-4°F ~ 113°F) -20~45°C
DIMMING	Triac Dimming
RATING	Suitable for Wet Locations
WARRANTY	5 year limited

LISTING

ETL Listed.



Catalog Number : Project Name : Note : Date : Type :

COB Module

COB (chip on board) provides long useful life with precise color control over time.



Die-cast Radiator

Die cast heat sinks provide optimized passive thermal management to maximize LED lumen maintenance.

Galvanized Spring

High and durable quality (long service life, good hardness and resistance)



















Optional face ring (Squar / Round Trim)

Finishing section trims are durable die cast aluminum with precision painted finish.

Reflector

It is suitable for small narrow light, narrow light, large narrow light. Color optional (White/Gold/Gray)



Product	Model	Shape	Wattage	Reflector Color	Lumen
	SU-DN1IN-7W5C-G17-WH	Round	7W	White	500lm@4000K
	SU-DN1IN-7W5C-G17-GD	Round	7W	Gold	480lm@4000K
	SU-DN1IN-7W5C-G17-GY	Round	7W	Gray	450lm@4000K
	SU-DN1IN-7W5C-G17-WH	Square	7W	/	480lm@4000K
	SU-DN2IN-8W5C-G18 -WH	Round	8W	White	680lm@4000K
	SU-DN2IN-8W5C-G18 -GD	Round	8W	Gold	630lm@4000K
	SU-DN2IN-8W5C-G18 -GY	Round	8W	Gray	600lm@4000K
	SU-DN2IN-8W5C-G18 -WH	Square	8W	/	660lm@4000K
	SU-DN3IN-12W5C-G18 -WH	Round	12W	White	990lm@4000K
	SU-DN3IN-12W5C-G18 -GD	Round	12W	Gold	960lm@4000K
	SU-DN3IN-12W5C-G18 -GY	Round	12W	Gray	900lm@4000K
	SU-DN3IN-12W5C-G18 -WH	Square	12W	/	960lm@4000K
	SU-DN4INWH-15W5C-G17-WH	Round	15W	White	1380lm@4000K
	SU-CDTR-4INGD-G1-GD	Round	15W	Gold	1300lm@4000K
	SU-CDTR-4INGY-G1-GY	Round	15W	Gray	1250lm@4000K
	SU-DN4IN-15W5C-G18-WH	Square	15W	/	1300lm@4000K

RECOMMENDED DIMMER

LUTRON					LEVITON	
TG-600PR-WH	SLV-600P-AL	MSC-L-OP153M	CT-103PR-WH	RCL-153RNL	6672	DSL06
CTCL-153PDH-WH	DV-600PR-WH	PD-6WCL	MACL-153MA	DVRF-6L	6674	RNL06
TGCL-153PH-LA	DVCL-153P	S2-LFSQH-WH	DVWCL-153PH	CTCL-150H		

Specification subject to change without notice

Catalog Number:

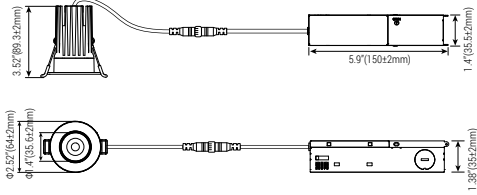
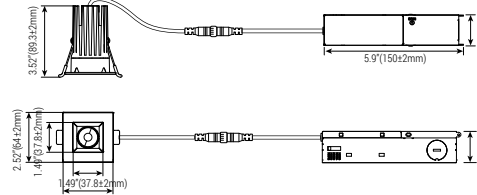

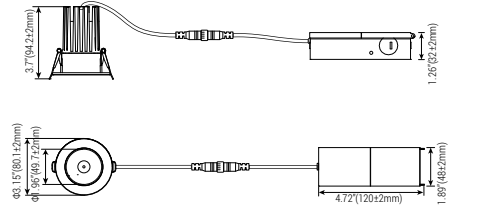
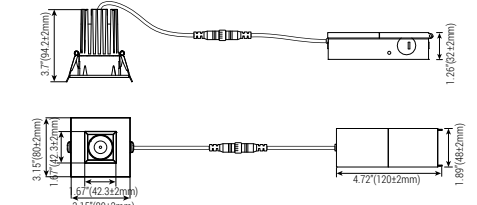
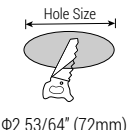
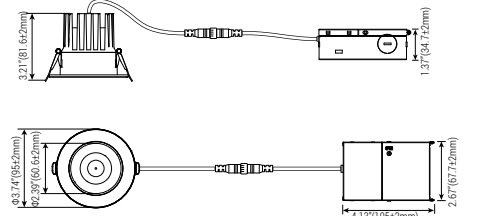
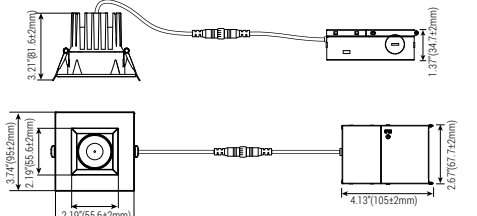
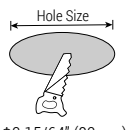
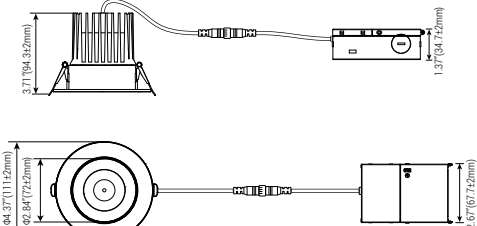
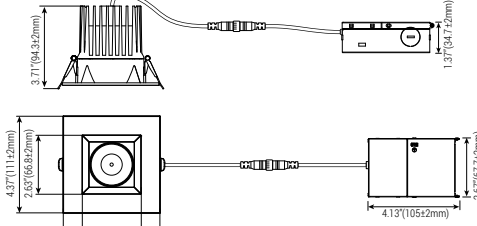
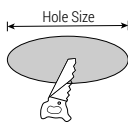
Project Name:

Note:

Date:

Type:

SIZE & DIMENSION & HOLE SIZE

Size	Dimension		Hole Cutout
	Round	Square	
1inch			 $\Phi 2 \frac{9}{16}'' (54\text{mm})$
2inch			 $\Phi 2 \frac{53}{64}'' (72\text{mm})$
3inch			 $\Phi 3 \frac{15}{64}'' (82\text{mm})$
4inch			 $\Phi 3 \frac{47}{64}'' (95\text{mm})$

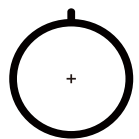
ACCESSORIES



J-Box driver



Connector



Hole cutout card

Specification subject to change without notice