

T8 CCT 4FT/8FT LED Tube

Features

- Warranty: 5-year limited warranty.
- Flicker free, eyesight protection.
- Efficiency:>130Lm/W
- Driver end-cap, easy replacing
- Input voltage: 100-277V
- Certificated: ETL/DLC
- Instant on/off, no noise/UV/shadow



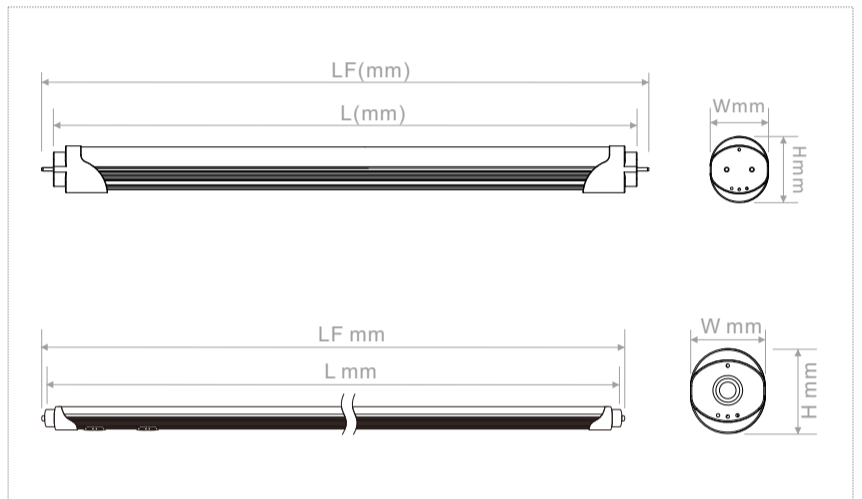
Super bright LED tube light is with SMD2835, which has higher lumen efficiency and perfect lighting performance.

With flicker free driver, instant start, no radiation, no noise, no mercury and other material that is harmful to human body and environment.



Applications:

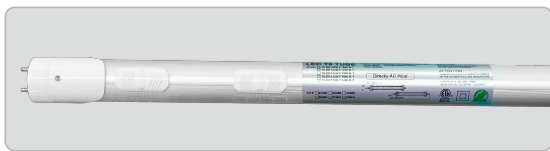
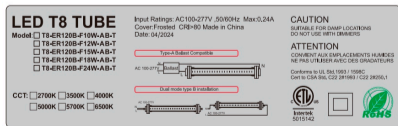
- Office lighting.
- meeting room lighting.
- hall lighting.
- hotel lighting.
- super-market.



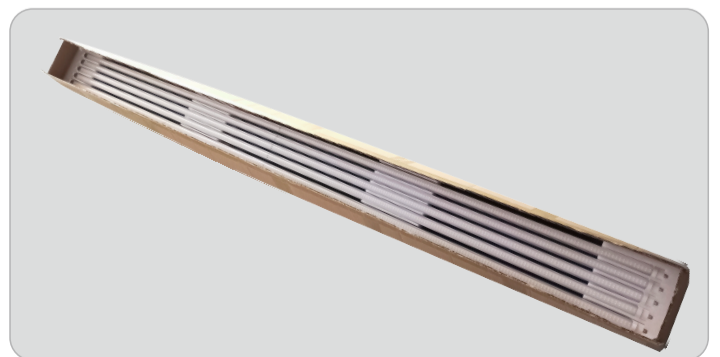
Model No	T8-ER120B-F24W-AB-T	T8-ER120B-F24W-B-T	T8-ER240B-F50W-B-T
Watt(W)	10W/12W/15W/18W/24W	10W/12W/15W/18W/24W	30W/40W/50W
Input Voltage(V)	AC100-277V 50/60Hz	AC100-277V 50/60Hz	AC100-277V 50/60Hz
Dimension (mm)	L1213±1mm	L1213±1mm	L2387±1mm
LED Model	208pcs SMD2835	208pcs SMD2835	520pcs SMD2835
CCT(K)	2700K/3500K/4000K/ 5000K/5700K/6500K	2700K/3500K/4000K/ 5000K/5700K/6500K	2700K/3500K/4000K/ 5000K/5700K/6500K
Efficiency(lm/W)±5%	135lm/W	135lm/W	130lm/W
Luminous Flux(lm)±5%	1350lm~970lm	1350lm~970lm	3900lm~6500lm
Beam Angle(°)	120°	120°	120°
Protection Class	Class II	Class II	Class II
IP Rating	IP20	IP20	IP20
Working Temp(°C)	-15°C~+45°C	-15°C~+45°C	-15°C~+45°C
Lifetime(hour)	>50000H	>50000H	>50000H
THD	<15%	<15%	<15%
Socket	G13	G13	FA8/R17D
Size(LF*L*W*H)mm	1213*1198*28*32mm	1213*1198*28*32mm	2387*2373*28*32mm

Available size

Model	Dimension(mm)	Wattage	Option		Carton weight (LBS)		Carton Size (in)	Qty/CTN	20GP (pcs)	40HQ (pcs)
			PC	Color	N.W/CTN	G.W/CTN				
T8-ER120B-F24W-AB-T	L1198*W28*H32	Max24W	Milky/ Clear	6CCT	12	14.5	49X7.2X7.67	25	15175	37675
T8-ER120B-F24W-B-T	L1198*W28*H32	Max24W	Milky/ Clear	6CCT	12	14.5	49X7.2X7.67	25	15175	37675
T8-ER240B-F50W-B-T	L2373*W28*H32	Max50W	Milky/ Clear	6CCT	22	28	95.5X7.2X7.67	25	7750	19325



product label



packaging